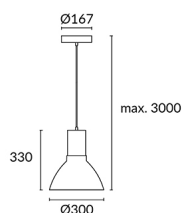


BELL Colgante

Descripción

Colgante de uso interior para iluminar hacia abajo.

Diseño atemporal. Fácil instalación. Alta durabilidad para uso intensivo. Material estructura: Aluminio satinado. Acabado estructura: Pulido. Material difusor: Policarbonato. Acabado difusor: Transparente. Garantía: 5 Años.



Acabado

Pulido
Transparente

Material

Aluminio satinado
Policarbonato



IP20



2

CARACTERÍSTICAS TÉCNICAS

Fuente de luz

Fuente de luz: LED SHARP
Potencia (W): 18W
Consumo total (W): 21 W
Temperatura de color: Blanco cálido - 3000K
CRI: 80
Lumens reales: 1279
Nº Leds: 1
Lm/W reales: 61
Vida útil: 36.000h L70B30
Bin / Grup: 30
MacAdam steps: 3
UGR: 19.4
Riesgo fotobiológico: RG1

EQUIPO

Marca: HEP
Equipo incluido: Si, electrónico
Voltaje / Frecuencia:
100-240VAC/50-60Hz
Factor de potencia: 0.90

Luminaria

Garantía: 5 Años

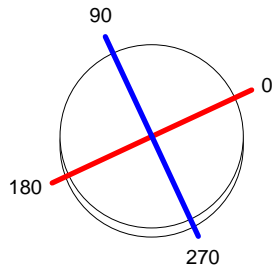
Logística

Eficiencia energética: LED A++
EAN: 8435381413019
Peso neto (Kg): 1.835
Peso en Kg (embalado): 3.264
Box: 360 x 355 x 285
Masterbox: 2

Luminaire		Measur.		Lamp	
Code	00-3219-S2-M2	Code	00-3219-S2-M2	Code	00-3219-S2-M2
Name	Colgante BELL led 1x18W	Name	Colgante BELL led 1x18W	Number	1
Line	- LEDS C4 LEDS	Date	02-06-2014	Position	Universal
Efficiency	100.00%	Coordinate system	CG	Total Flux	1279.44 lm
Maximum value	2274.79 cd	Position	C=0.00 G=0.00	Double Symmetrical	
Round Luminaire	Diam.	300 mm	Height	310 mm	
Round Luminous Area	Diam.	72 mm	Height	0 mm	
Horizontal Luminous Area	0.004072 m ²	Emitting area on Plane 180°	0.000000 m ²		
Emitting area on Plane 0°	0.000000 m ²	Emitting area on Plane 270°	0.000000 m ²		
Emitting area on Plane 90°	0.000000 m ²	Glare area at 76°	0.000985 m ²		
Symmetry Type	Double Symmetrical	Maximum Gamma Angle	180		
Measurement Distance	6.44	Measurement Flux	1279.44 lm		
Operator	Asselum T2	Source voltage	230.00 V		
Temperature	22.00 °C	Source current			
Humidity	51.00 %	Photocell	Prc		
Notes					

Luminaire Lamps						
Line	Code	Name	Flux [lm]	Pow. [W]	Q.ty	
- LEDS C4 LEDS	00-3219-S2-M2	Lámpara led 18W	1279.44	18.00	1	
C.I.E.	92 98 100 99 100	D DIN 5040		A61		
F UTE	0.99 A + 0.01 T	B NBN		BZ 1		

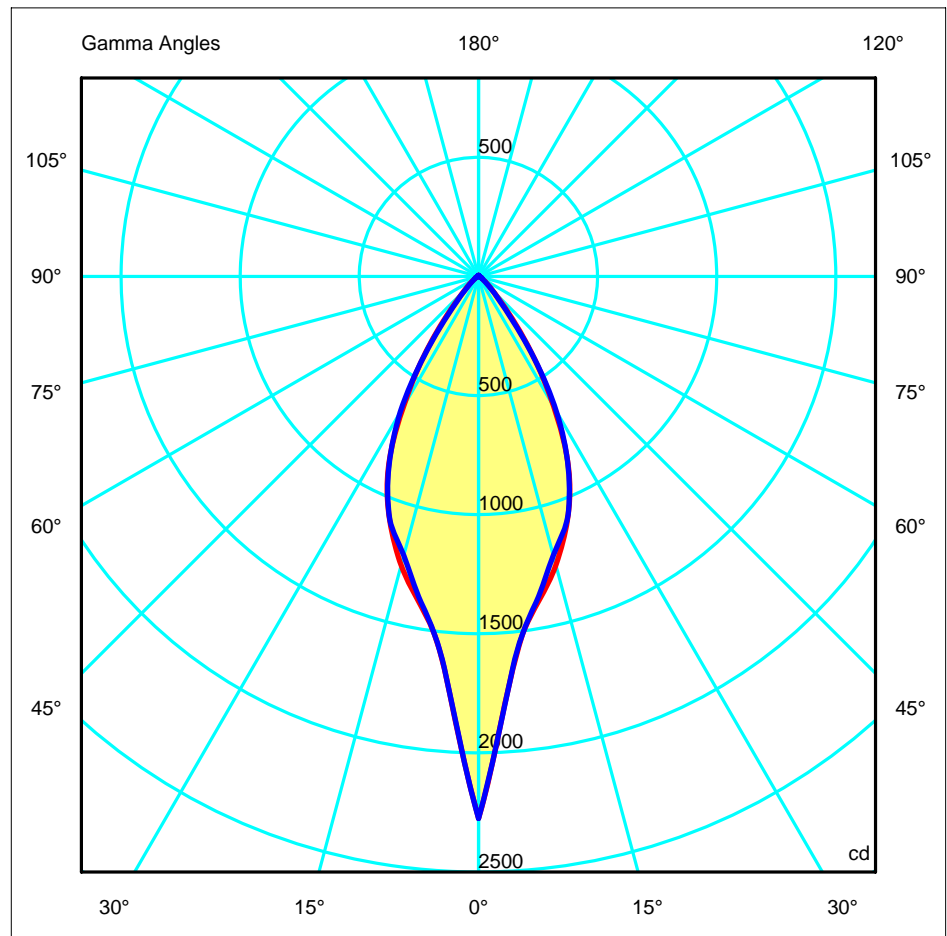
Diam=300mm



C Halfplanes

180.0 — 0.0
270.0 — 90.0

ULOR 0.86 %
DLOR 99.14 %
RN 0.86 %



Luminaire		Measur.		Lamp	
Code	00-3219-S2-M2	Code	00-3219-S2-M2	Code	00-3219-S2-M2
Name	Colgante BELL led 1x18W	Name	Colgante BELL led 1x18W	Number	1
Line	- LEDS C4 LEDS	Date	02-06-2014	Position	Universal

Efficiency	100.00%	Coordinate system	CG	Total Flux	1279.44 lm
------------	---------	-------------------	----	------------	------------

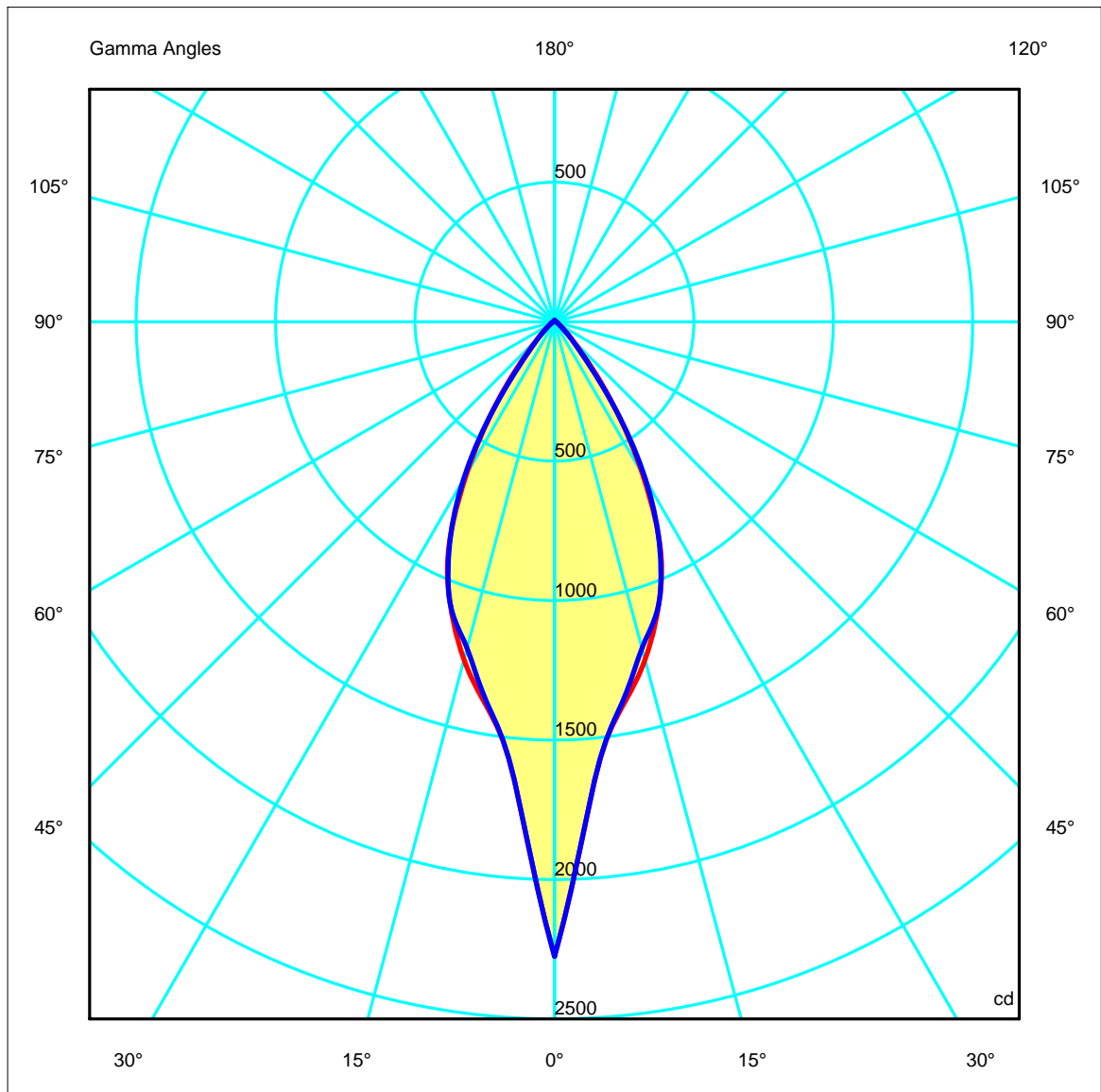
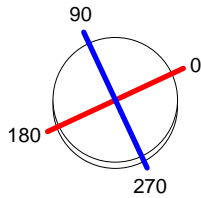
	Luminous Intensity Table cd							Table 1/1
	C 0.00	C 15.00	C 30.00	C 45.00	C 60.00	C 75.00	C 90.00	
G 0.0	2274.79	2274.79	2274.79	2274.79	2274.79	2274.79	2274.79	
G 5.0	1651.52	1589.75	1697.66	1589.58	1665.84	1576.20	1649.63	
G 10.0	1401.33	1359.97	1436.09	1367.30	1416.59	1363.60	1389.50	
G 15.0	1254.26	1202.20	1283.52	1193.56	1235.09	1187.61	1212.09	
G 20.0	1088.45	1055.83	1134.56	1066.31	1106.77	1072.78	1087.24	
G 25.0	899.01	870.78	968.15	881.82	921.33	909.13	890.36	
G 30.0	631.07	608.56	707.98	619.52	665.38	633.13	656.16	
G 35.0	381.48	358.07	429.64	366.06	376.30	371.16	369.61	
G 40.0	182.18	166.21	204.52	165.04	174.96	180.34	163.47	
G 45.0	85.29	74.40	91.04	73.24	81.73	75.15	77.84	
G 50.0	48.74	39.32	49.18	38.40	43.22	40.27	40.63	
G 55.0	26.00	21.31	27.09	20.38	23.89	20.18	24.34	
G 60.0	14.67	13.84	19.36	14.09	14.37	14.30	18.35	
G 65.0	14.21	11.35	15.59	11.87	13.85	12.30	14.58	
G 70.0	12.20	9.67	9.96	9.73	12.66	9.93	10.72	
G 75.0	8.73	6.88	7.41	7.11	9.02	7.00	7.82	
G 80.0	4.65	3.97	4.68	3.85	5.54	3.66	5.04	
G 85.0	1.71	1.74	1.90	1.63	2.09	1.65	1.98	
G 90.0	0.74	0.62	0.74	0.65	0.75	0.68	0.76	
G 95.0	0.62	0.56	0.58	0.58	0.60	0.61	0.64	
G100.0	0.61	0.57	0.56	0.54	0.59	0.59	0.59	
G105.0	0.66	0.60	0.60	0.60	0.64	0.63	0.65	
G110.0	0.78	0.70	0.70	0.70	0.76	0.73	0.76	
G115.0	0.99	0.92	0.88	0.90	0.95	0.92	0.97	
G120.0	1.28	1.17	1.16	1.17	1.23	1.19	1.22	
G125.0	1.57	1.48	1.46	1.48	1.57	1.52	1.57	
G130.0	1.96	1.87	1.85	1.90	1.98	1.91	1.96	
G135.0	2.42	2.29	2.27	2.30	2.42	2.31	2.36	
G140.0	2.89	2.79	2.72	2.82	2.87	2.75	2.81	
G145.0	3.37	3.19	3.22	3.24	3.32	3.21	3.26	
G150.0	3.75	3.61	3.59	3.64	3.73	3.59	3.67	
G155.0	4.06	3.91	3.94	3.93	4.03	3.91	3.96	
G160.0	4.25	4.10	4.15	4.12	4.24	4.07	4.15	
G165.0	4.43	4.23	4.32	4.26	4.40	4.27	4.33	
G170.0	4.56	4.36	4.49	4.41	4.56	4.41	4.48	
G175.0	4.68	4.45	4.58	4.50	4.68	4.51	4.60	
G180.0	4.77	4.50	4.65	4.51	4.72	4.58	4.66	

Luminaire		Measur.		Lamp	
Code	00-3219-S2-M2	Code	00-3219-S2-M2	Code	00-3219-S2-M2
Name	Colgante BELL led 1x18W	Name	Colgante BELL led 1x18W	Number	1
Line	- LEDS C4 LEDS	Date	02-06-2014	Position	Universal
Efficiency	100.00%	Coordinate system	CG	Total Flux	1279.44 lm

Diam=300mm

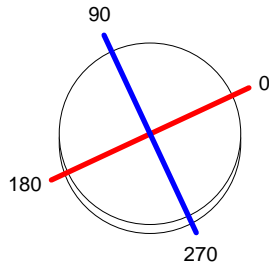
C Halfplanes

180.0 ——— 0.0
 270.0 ——— 90.0



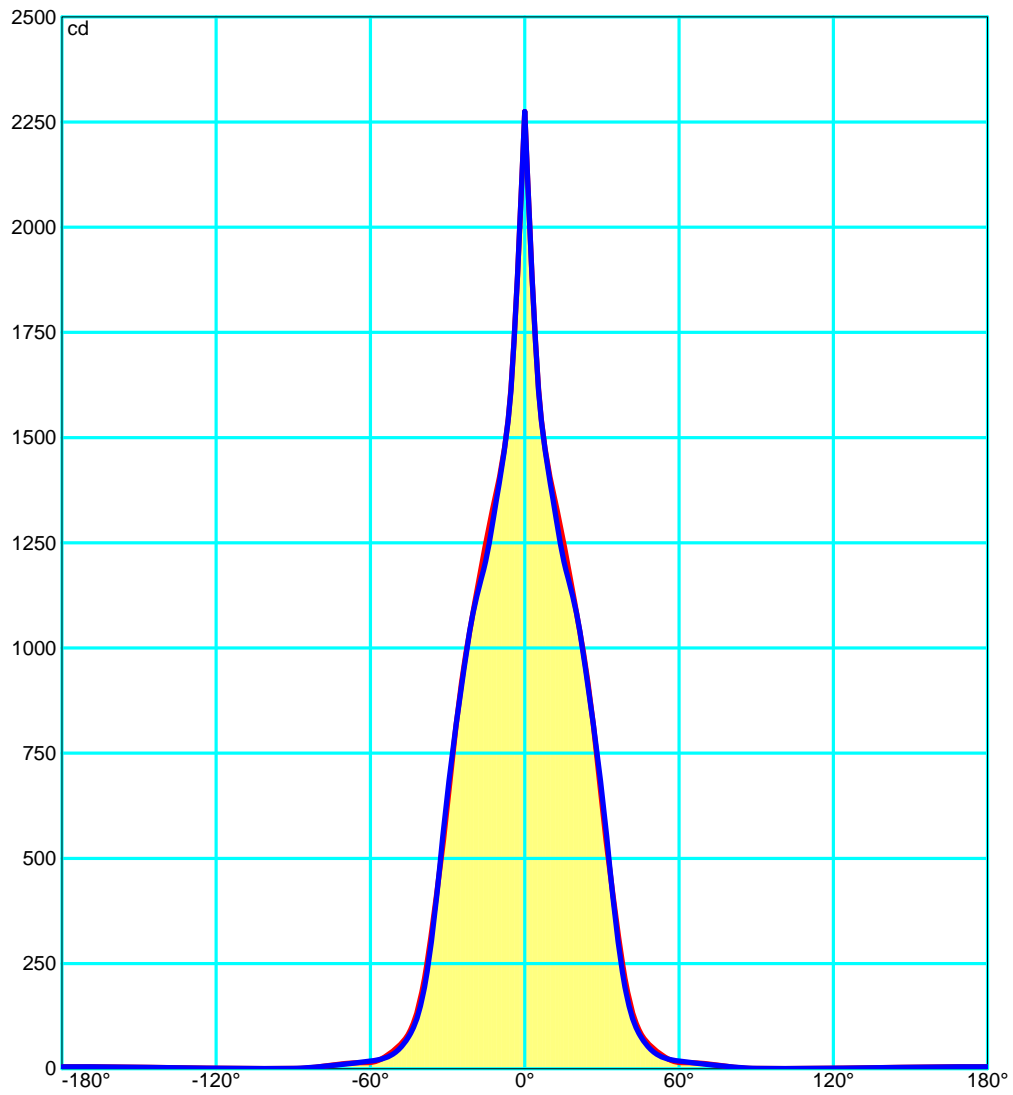
Luminaire		Measur.		Lamp	
Code	00-3219-S2-M2	Code	00-3219-S2-M2	Code	00-3219-S2-M2
Name	Colgante BELL led 1x18W	Name	Colgante BELL led 1x18W	Number	1
Line	- LEDS C4 LEDS	Date	02-06-2014	Position	Universal
Efficiency	100.00%	Coordinate system	CG	Total Flux	1279.44 lm

Diam=300mm



C Halfplanes

180.0 ——— 0.0
 270.0 ——— 90.0



Luminaire		Measur.		Lamp	
Code	00-3219-S2-M2	Code	00-3219-S2-M2	Code	00-3219-S2-M2
Name	Colgante BELL led 1x18W	Name	Colgante BELL led 1x18W	Number	1
Line	- LEDS C4 LEDS	Date	02-06-2014	Position	Universal
Efficiency	100.00%	Coordinate system	CG	Total Flux	1279.44 lm

UGR
S = 0.250

Reflectancies										
Ceiling/Cavity	0.7	0.7	0.5	0.5	0.3	0.7	0.7	0.5	0.5	0.3
Walls	0.5	0.3	0.5	0.3	0.3	0.5	0.3	0.5	0.3	0.3
WorkingPlane	0.2	0.2	0.2	0.2	0.2	0.2	0.2	0.2	0.2	0.2
RoomDimensions	ViewedCrosswise					ViewedEndwise				
x=2H y=2H	19.6	20.3	19.9	20.5	20.6	19.5	20.2	19.7	20.4	20.6
x=2H y=3H	19.7	20.3	20.0	20.6	20.7	19.5	20.2	19.8	20.4	20.7
x=2H y=4H	19.7	20.3	20.0	20.6	20.7	19.6	20.2	19.9	20.5	20.7
x=2H y=6H	19.8	20.3	20.1	20.6	20.8	19.6	20.2	20.0	20.5	20.8
x=2H y=8H	19.8	20.3	20.1	20.6	20.8	19.6	20.2	20.0	20.5	20.8
x=2H y=12H	19.8	20.3	20.1	20.6	20.8	19.6	20.1	20.0	20.5	20.8
x=4H y=2H	19.5	20.1	19.8	20.4	20.5	19.4	20.0	19.7	20.2	20.5
x=4H y=3H	19.7	20.2	20.0	20.5	20.7	19.6	20.1	19.9	20.4	20.7
x=4H y=4H	19.8	20.2	20.2	20.6	20.9	19.7	20.1	20.1	20.5	20.9
x=4H y=6H	19.9	20.2	20.3	20.6	20.9	19.8	20.2	20.2	20.5	20.9
x=4H y=8H	19.9	20.2	20.3	20.6	21.0	19.8	20.1	20.2	20.5	21.0
x=4H y=12H	19.9	20.2	20.3	20.6	21.0	19.8	20.1	20.3	20.5	21.0
x=8H y=4H	19.8	20.1	20.2	20.5	20.9	19.7	20.0	20.1	20.4	20.9
x=8H y=6H	19.9	20.2	20.4	20.6	21.0	19.9	20.1	20.3	20.6	21.0
x=8H y=8H	20.0	20.2	20.5	20.6	21.1	19.9	20.1	20.4	20.6	21.1
x=8H y=12H	20.0	20.2	20.5	20.7	21.1	20.0	20.1	20.4	20.6	21.1
x=12H y=4H	19.8	20.1	20.2	20.5	20.8	19.7	20.0	20.1	20.4	20.8
x=12H y=6H	19.9	20.1	20.4	20.6	21.0	19.9	20.1	20.3	20.5	21.0
x=12H y=8H	20.0	20.2	20.5	20.6	21.1	19.9	20.1	20.4	20.6	21.1

Luminaire		Measur.		Lamp	
Code	00-3219-S2-M2	Code	00-3219-S2-M2	Code	00-3219-S2-M2
Name	Colgante BELL led 1x18W	Name	Colgante BELL led 1x18W	Number	1
Line	- LEDS C4 LEDS	Date	02-06-2014	Position	Universal
Efficiency	100.00%	Coordinate system	CG	Total Flux	1279.44 lm

Total Flux=1279.44 Luminaire Flux=1279.43

RI	0.60	0.80	1.00	1.25	1.50	2.00	2.50	3.00	4.00	5.00	10.00	20.00
DRR	0.68	0.73	0.78	0.82	0.85	0.90	0.93	0.95	0.97	0.98	1.00	1.01
RC	-	-	-	-	-	-	-	-	-	-	-	-

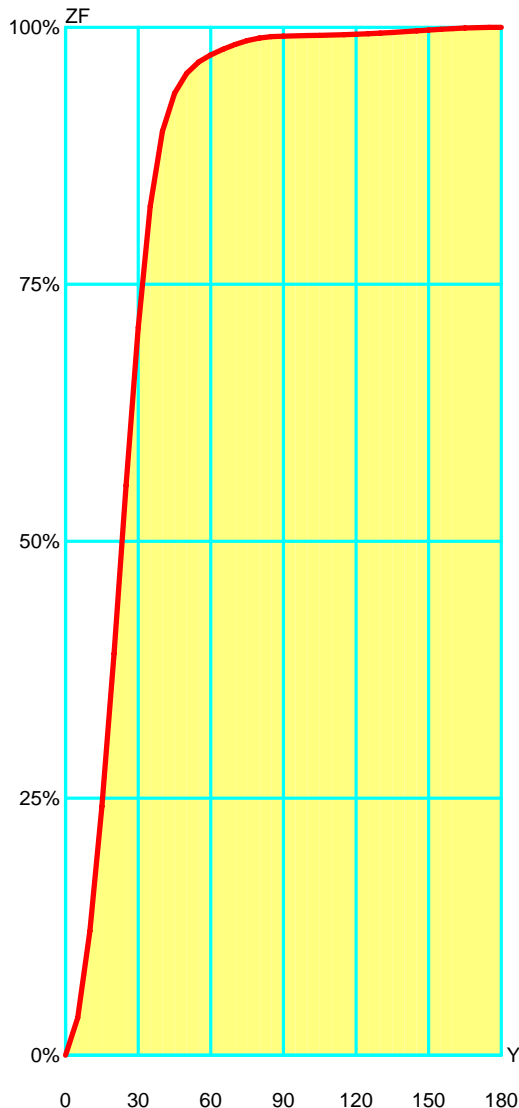
Zonal Flux per 1000 Lumen

Y°	10	20	30	40	50	60	70	80	90	100	110	120	130	140	150	160	170	180
ZF(Y)	121	391	708	899	955	973	983	990	991	992	992	993	994	996	997	999	1000	1000

CIE Flux Codes

92 98 100 99 100

C.I.E.	-/-/-/-/-/-/-/-/-/-	LOR	99.99961 %
D DIN 5040	A61	ULOR	0.85511 %
F UTE	0.99 A + 0.01 T	DLOR	99.14449 %
B NBN	BZ 1	UFF	0.85512 %
RN	0.85512 %	DFF	99.14488 %
BLF	1.0	FFR	0.86249 %



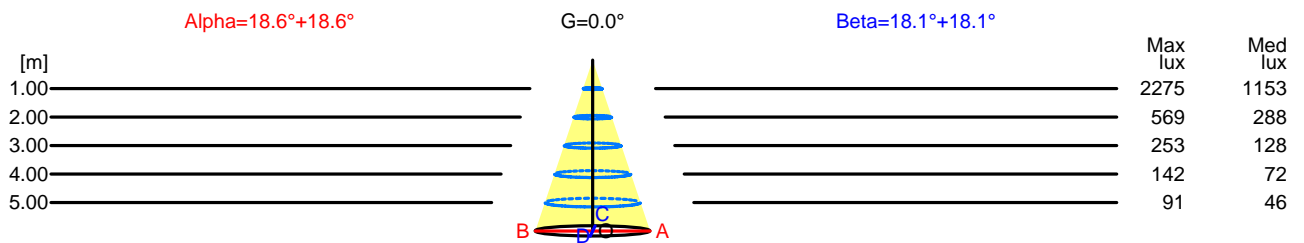
Zonal Flux				
Gamma °	Flux	Sum lm	Flux [%]	Sum [%]
0°	0.00	0.00	0.00%	0.00%
5°	36.47	36.47	3.65%	3.65%
10°	84.39	120.86	8.44%	12.09%
15°	121.12	241.97	12.11%	24.20%
20°	148.79	390.76	14.88%	39.08%
25°	163.54	554.30	16.35%	55.43%
30°	153.71	708.01	15.37%	70.80%
35°	118.07	826.08	11.81%	82.61%
40°	72.61	898.68	7.26%	89.87%
45°	37.17	935.85	3.72%	93.59%
50°	19.27	955.13	1.93%	95.51%
55°	11.13	966.26	1.11%	96.63%
60°	6.94	973.20	0.69%	97.32%
65°	5.44	978.64	0.54%	97.86%
70°	4.71	983.35	0.47%	98.34%
75°	3.71	987.07	0.37%	98.71%
80°	2.52	989.58	0.25%	98.96%
85°	1.32	990.91	0.13%	99.09%
90°	0.54	991.44	0.05%	99.14%
95°	0.28	991.72	0.03%	99.17%
100°	0.25	991.97	0.02%	99.20%
105°	0.25	992.22	0.02%	99.22%
110°	0.28	992.50	0.03%	99.25%
115°	0.33	992.82	0.03%	99.28%
120°	0.40	993.23	0.04%	99.32%
125°	0.49	993.72	0.05%	99.37%
130°	0.58	994.30	0.06%	99.43%
135°	0.67	994.97	0.07%	99.50%
140°	0.74	995.71	0.07%	99.57%
145°	0.79	996.50	0.08%	99.65%
150°	0.79	997.29	0.08%	99.73%
155°	0.75	998.04	0.08%	99.80%
160°	0.66	998.71	0.07%	99.87%
165°	0.54	999.25	0.05%	99.93%
170°	0.41	999.66	0.04%	99.97%
175°	0.25	999.91	0.03%	99.99%
180°	0.09	1000.00	0.01%	100.00%

Luminaire		Measur.		Lamp	
Code	00-3219-S2-M2	Code	00-3219-S2-M2	Code	00-3219-S2-M2
Name	Colgante BELL led 1x18W	Name	Colgante BELL led 1x18W	Number	1
Line	- LEDS C4 LEDS	Date	02-06-2014	Position	Universal
Efficiency	100.00%	Coordinate system	CG	Total Flux	1279.44 lm

Width at 50.00 % of Max Intensity

H[m]	1.00	2.00	3.00	4.00	5.00	H[m]	1.00	2.00	3.00	4.00	5.00
OA	0.34	0.67	1.01	1.34	1.68	OC	0.33	0.65	0.98	1.31	1.63
OB	0.34	0.67	1.01	1.34	1.68	OD	0.33	0.65	0.98	1.31	1.63

	Luminous Intensities [cd]									
	0	5	15	25	35	45	55	65	75	85
OA	2274.79	1651.52	1254.26	899.01	381.48	85.29	26.00	14.21	8.73	1.71
OB	2274.79	1651.52	1254.26	899.01	381.48	85.29	26.00	14.21	8.73	1.71
OC	2274.79	1649.63	1212.09	890.36	369.61	77.84	24.34	14.58	7.82	1.98
OD	2274.79	1649.63	1212.09	890.36	369.61	77.84	24.34	14.58	7.82	1.98



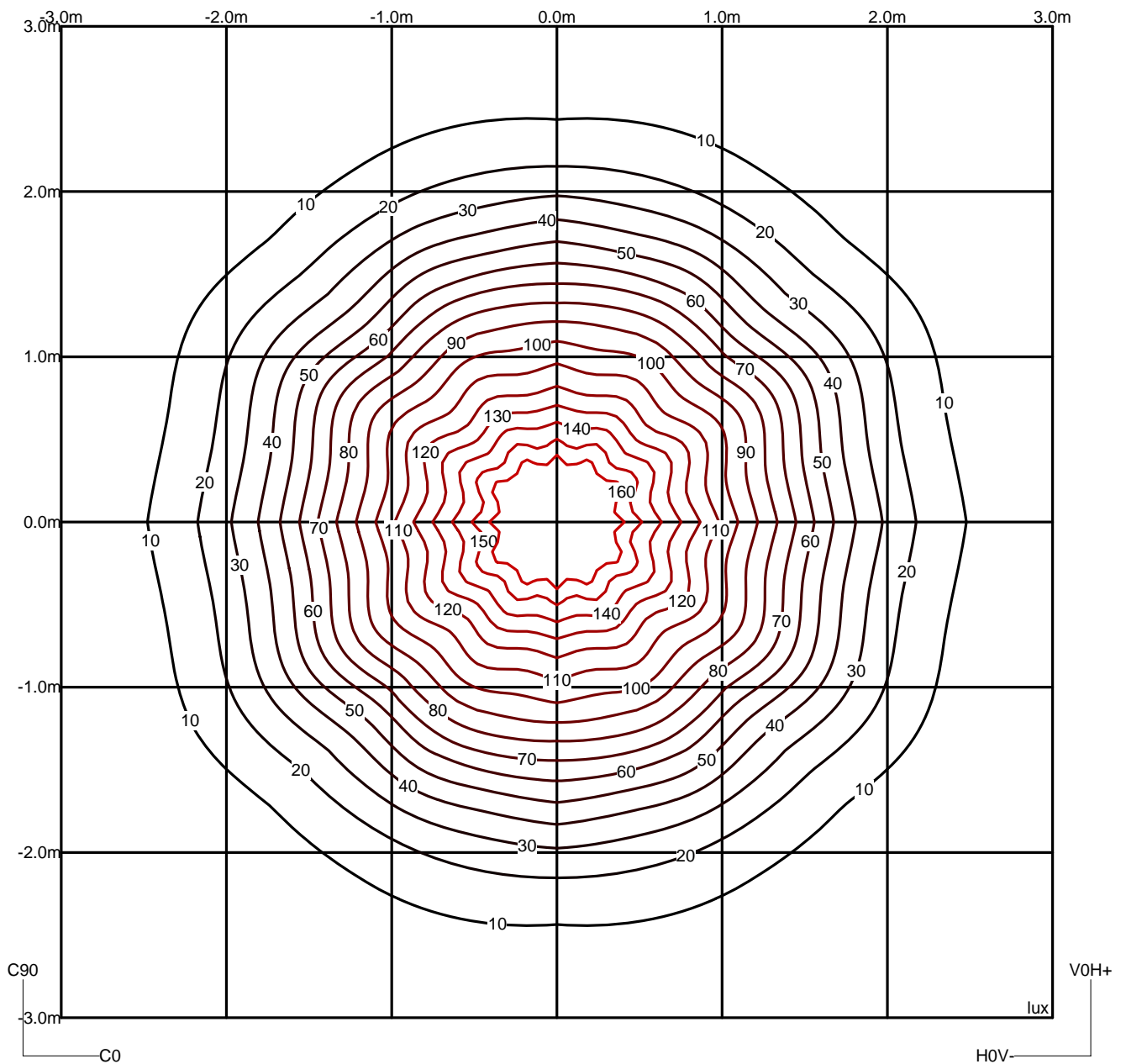
H[m]	D[m]	Max lux	Med lux	Alpha=18.6°+18.6°	G=0.0
1.00	0.67	2275	1153		
2.00	1.34	569	288		
3.00	2.01	253	128		
4.00	2.69	142	72		
5.00	3.36	91	46		

H[m]	D[m]	Max lux	Med lux	Beta=18.1°+18.1°	G=0.0
1.00	0.65	2275	1153		
2.00	1.31	569	288		
3.00	1.96	253	128		
4.00	2.61	142	72		
5.00	3.26	91	46		

Luminaire		Measur.		Lamp	
Code	00-3219-S2-M2	Code	00-3219-S2-M2	Code	00-3219-S2-M2
Name	Colgante BELL led 1x18W	Name	Colgante BELL led 1x18W	Number	1
Line	- LEDS C4 LEDS	Date	02-06-2014	Position	Universal
Efficiency	100.00%	Coordinate system	CG	Total Flux	1279.44 lm

Isolux (Floor)

Luminaire position X=0.00m Y=0.00m Z=3.00m



Luminaire				Measur.				Lamp			
Code	00-3219-S2-M2			Code	00-3219-S2-M2			Code	00-3219-S2-M2		
Name	Colgante BELL led 1x18W			Name	Colgante BELL led 1x18W			Number	1		
Line	- LEDS C4 LEDS			Date	02-06-2014			Position	Universal		
Efficiency	100.00%			Coordinate system	CG			Total Flux	1279.44 lm		

Utilizations CIE

Mounting	Direct	Normalization				Normalised				Suspension Ratio				Standard CIE Settings									
Ceiling																							
K	8873	8773	8871	8771	7773	7771	7753	7553	7751	7551	7731	7331	7711	7111	5551	5531	5331	5511	5111	3331	3311	1111	0000
0.60	174	157	107	97	149	92	101	86	60	52	39	29	23	16	48	31	28	19	15	26	16	14	3
0.80	208	191	116	107	181	102	131	115	71	62	48	38	31	23	58	40	36	26	22	34	23	20	4
1.00	231	215	117	110	204	105	155	138	76	69	55	45	38	30	64	47	43	33	28	41	29	26	4
1.25	254	239	118	112	227	108	180	164	82	75	62	53	46	37	70	54	50	41	35	48	36	33	5
1.50	271	258	118	113	245	109	201	185	86	80	68	59	53	44	75	60	56	47	42	54	42	39	5
2.00	294	282	115	111	269	107	232	217	90	85	75	68	63	54	80	68	65	57	52	62	53	49	6
2.50	309	299	112	109	286	106	254	240	92	88	81	74	71	63	84	74	71	65	60	68	60	56	6
3.00	320	312	110	107	298	104	271	258	94	90	85	79	77	69	86	78	76	71	67	73	67	62	6
4.00	337	330	109	107	316	105	294	283	97	95	91	86	85	78	91	85	83	80	76	80	75	71	7
5.00	348	342	109	108	327	105	310	301	100	97	95	91	90	84	94	89	87	85	82	85	81	77	7
10.00	371	368	109	108	353	106	345	340	105	104	104	101	102	99	101	100	98	99	96	96	95	92	8
20.00	384	383	110	109	368	108	365	362	108	108	109	107	109	107	105	105	105	106	105	102	103	100	8

Wall

K	8873	8773	8871	8771	7773	7771	7753	7553	7751	7551	7731	7331	7711	7111	5551	5531	5331	5511	5111	3331	3311	1111	0000
0.60	303	293	218	213	288	210	227	220	169	166	142	138	122	120	164	139	138	121	119	137	119	119	97
0.80	338	327	232	227	320	223	260	251	186	182	160	155	140	137	179	156	154	138	136	152	136	134	108
1.00	354	343	231	226	334	222	278	269	190	186	166	161	147	143	182	160	159	144	142	157	141	139	110
1.25	371	361	231	227	349	222	297	287	194	190	172	167	155	150	185	166	164	151	148	161	148	145	112
1.50	383	373	229	226	359	221	312	301	196	192	176	171	160	155	186	169	167	155	152	164	151	148	113
2.00	385	376	211	208	359	203	320	309	184	181	169	164	156	150	174	161	159	150	147	154	145	140	102
2.50	380	372	192	190	353	185	320	310	170	167	158	153	147	142	160	149	147	140	137	142	134	129	88
3.00	371	363	173	171	343	165	314	305	154	151	144	140	136	130	143	135	133	128	125	127	121	115	72
4.00	366	360	155	153	337	148	314	306	140	138	133	129	126	121	128	123	121	117	114	114	109	102	57
5.00	359	354	140	139	329	133	311	303	127	125	121	118	116	112	115	111	109	107	104	101	98	90	43
10.00	308	305	70	70	277	64	268	263	62	61	61	58	59	56	50	49	48	48	46	38	37	27	0
20.00	205	204	0	0	173	0	170	167	0	0	0	0	0	0	0	0	0	0	0	0	0	0	0

Working Pl.

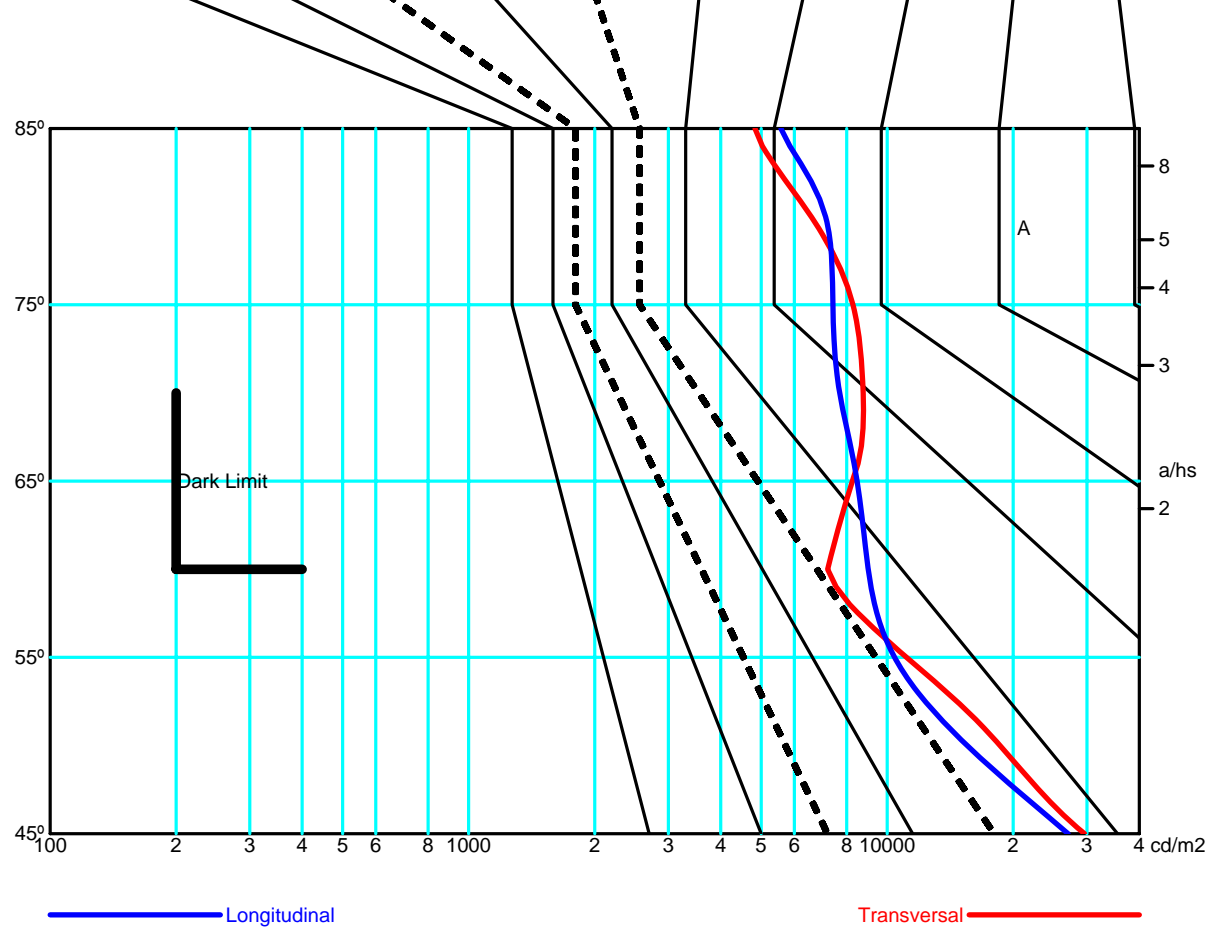
K	8873	8773	8871	8771	7773	7771	7753	7553	7751	7551	7731	7331	7711	7111	5551	5531	5331	5511	5111	3331	3311	1111	0000
0.60	863	853	805	799	847	796	772	765	744	739	708	705	683	680	737	705	703	681	680	702	680	679	670
0.80	933	921	860	853	911	848	838	828	799	794	764	759	738	734	790	758	757	734	732	755	732	730	721
1.00	993	981	905	899	967	893	898	887	849	844	817	811	791	786	838	809	807	787	784	804	783	781	772
1.25	1000	1000	941	935	1000	928	949	937	889	884	859	853	835	829	876	850	848	829	826	843	824	821	812
1.50	1000	1000	965	960	1000	952	988	975	918	913	891	883	868	861	903	880	877	861	857	872	854	850	841
2.00	1000	1000	1000	998	1000	990	1000	1000	964	959	942	935	924	915	947	929	926	914	909	919	905	898	890
2.50	1000	1000	1000	1000	1000	1000	1000	1000	992	988	975	968	960	952	975	961	958	948	944	949	938	929	921
3.00	1000	1000	1000	1000	1000	1000	1000	1000	1000	999	992	986	978	974	994	983	980	973	969	970	961	951	944
4.00	1000	1000	1000	1000	1000	1000	1000	1000	1000	1000	1000	1000	1000	1000	1000	1000	1000	997	993	989	983	971	963
5.00	1000	1000	1000	1000	1000	1000	1000	1000	1000	1000	1000	1000	1000	1000	1000	1000	1000	1000	1000	1000	996	982	974
10.00	1000	1000	1000	1000	1000	1000	1000	1000	1000	1000	1000	1000	1000	1000	1000	1000	1000	1000	1000	1000	1000	1000	996
20.00	1000	1000	1000	1000	1000	1000	1000	1000	1000	1000	1000	1000	1000	1000	1000	1000	1000	1000	1000	1000	1000	1000	1000

LM53 SHR C0-C180: 0.527 SHR C90-C270: 0.489 SHR Square: 0.717

Luminaire		Measur.		Lamp	
Code	00-3219-S2-M2	Code	00-3219-S2-M2	Code	00-3219-S2-M2
Name	Colgante BELL led 1x18W	Name	Colgante BELL led 1x18W	Number	1
Line	- LEDS C4 LEDS	Date	02-06-2014	Position	Universal
Efficiency	100.00%	Coordinate system	CG	Total Flux	1279.44 lm

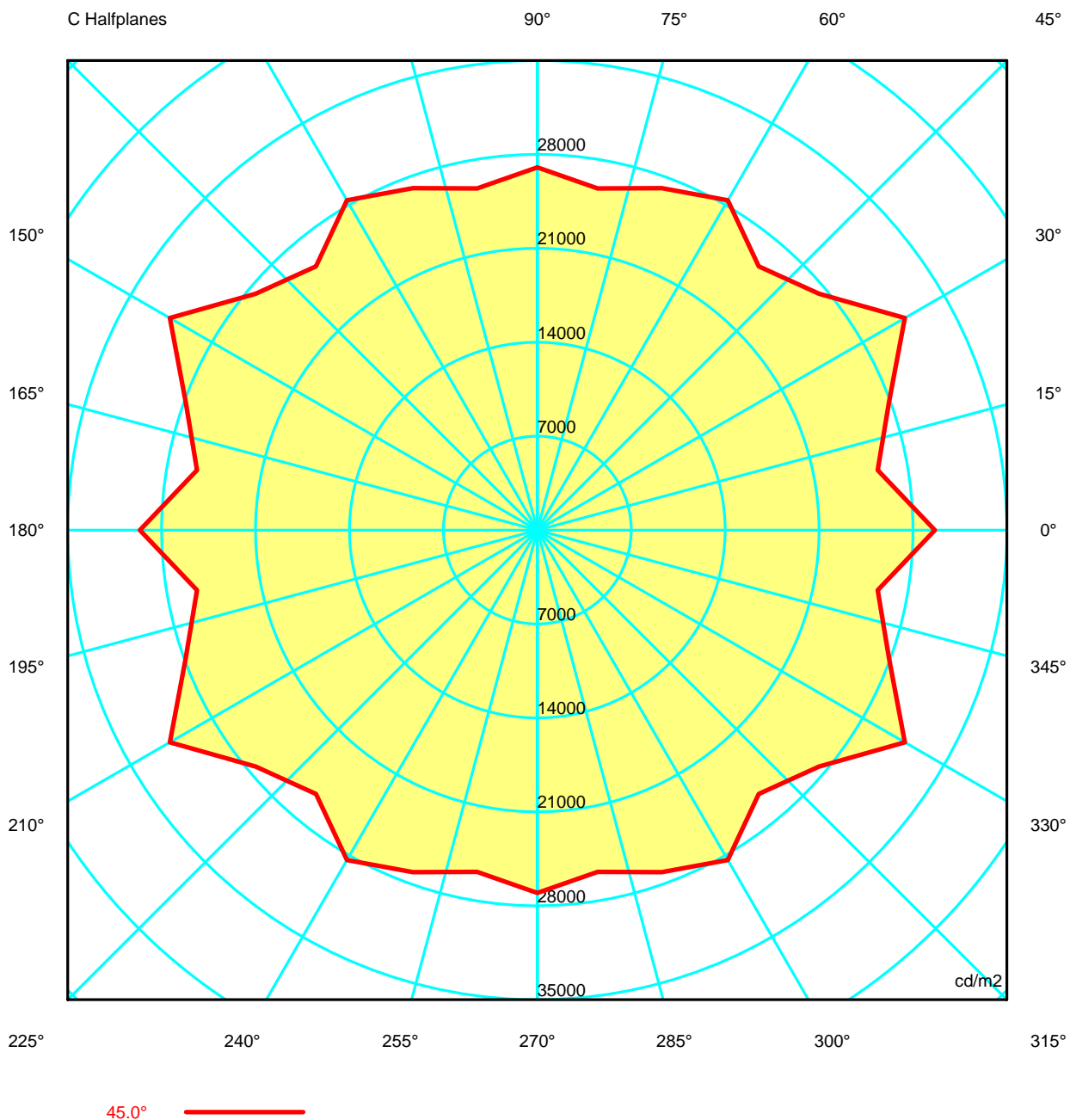
		Average Luminance [cd/m ²]										
		0.0°	45°	50°	55°	60°	65°	70°	75°	80°	85°	
0.0°		29622	18623	11131	7205	8257	8757	8284	6578	4832	---	
90.0°		27034	15522	10421	9014	8473	7700	7416	7126	5570	---	

Flush mounted or longitudinal view												
		Illumination(lx)										
A	A	2000	1000	750	500		<300					1.15
B	1		2000	1500	1000	750	500	<300				1.5
C					2000		1000	500	<300			1.85
D	2						2000	1000	500	<300		2.2
E	3							2000	1000	500	<300	2.55



Luminaire		Measur.		Lamp	
Code	00-3219-S2-M2	Code	00-3219-S2-M2	Code	00-3219-S2-M2
Name	Colgante BELL led 1x18W	Name	Colgante BELL led 1x18W	Number	1
Line	- LEDS C4 LEDS	Date	02-06-2014	Position	Universal
Efficiency	100.00%	Coordinate system	CG	Total Flux	1279.44 lm

Luminance



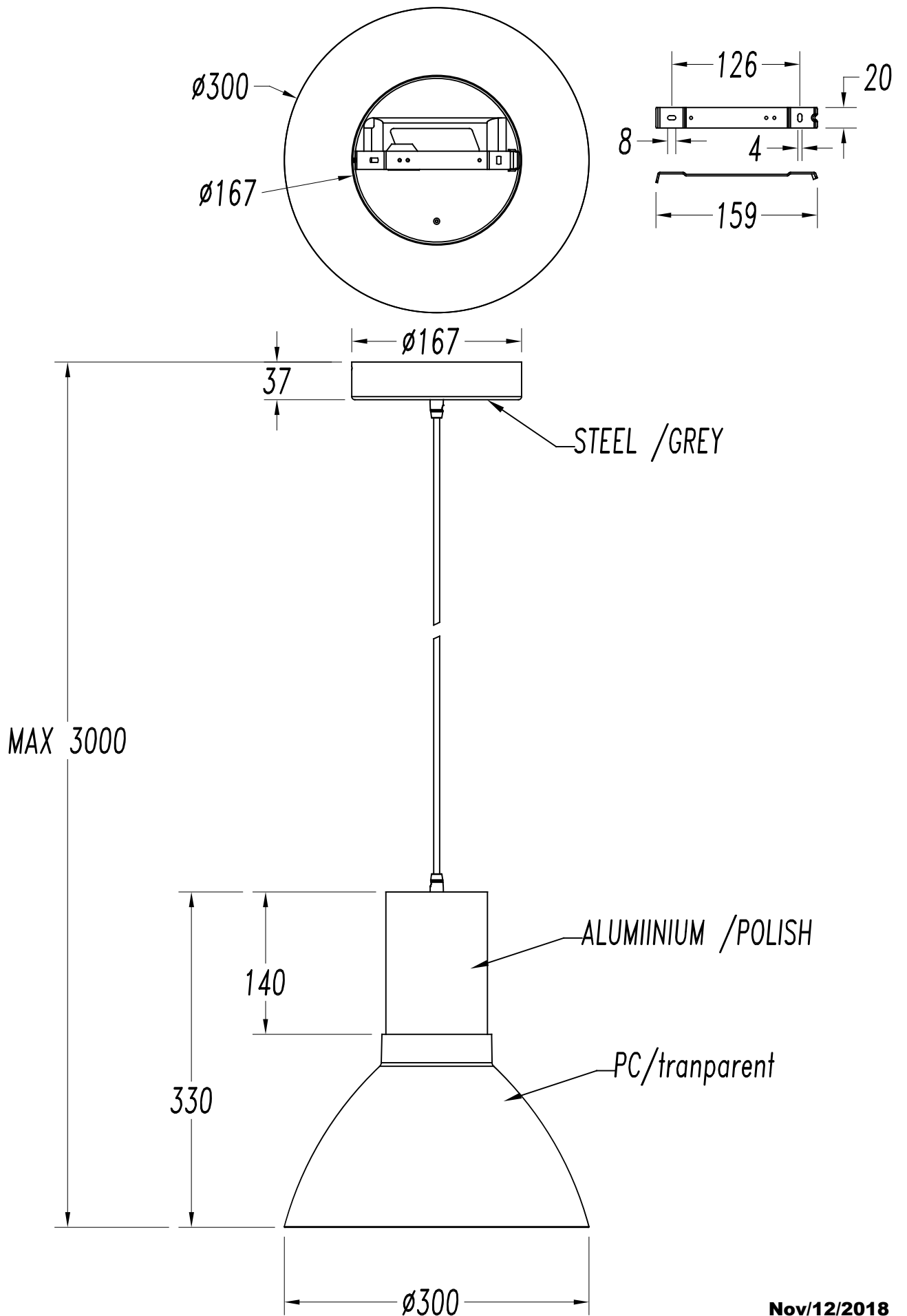
Luminaire		Measur.		Lamp									
Code	00-3219-S2-M2	Code	00-3219-S2-M2	Code	00-3219-S2-M2								
Name	Colgante BELL led 1x18W	Name	Colgante BELL led 1x18W	Number	1								
Line	- LEDS C4 LEDS	Date	02-06-2014	Position	Universal								
Efficiency	100.00%	Coordinate system	CG	Total Flux	1279.44 lm								
Luminance cd/m2 Table 1/3													
	C 0.00	C 10.00	C 20.00	C 30.00	C 40.00	C 50.00	C 60.00	C 70.00	C 80.00	C 90.00	C 100.00	C 110.00	C 120.00
G 0.0	558643.09	558643.09	558643.09	558643.09	558643.09	558643.09	558643.09	558643.09	558643.09	558643.09	558643.09	558643.09	558643.09
G 5.0	407128.81	390990.22	401547.83	418503.93	399385.70	395762.72	410658.97	396164.09	389073.99	406662.40	389073.99	396164.09	410658.97
G 10.0	349447.31	338435.96	345879.09	358114.74	345981.70	343331.20	353252.87	345044.79	339268.79	346497.21	339268.79	345044.79	353252.87
G 15.0	318885.47	305248.53	313082.81	326325.52	310602.28	304536.99	314012.86	306603.28	301260.52	308164.14	301260.52	306603.28	314012.86
G 20.0	284455.83	274617.58	283306.49	296505.24	284305.60	280062.18	289242.32	284107.95	279557.33	284140.44	279557.33	284107.95	289242.32
G 25.0	243602.77	233531.99	245596.24	262337.62	246871.87	242513.06	249649.40	249182.85	244100.08	241257.62	244100.08	249182.85	249649.40
G 30.0	178951.74	169528.78	183095.22	200763.84	183758.49	176898.00	188681.65	183514.73	179180.88	186068.05	179180.88	183514.73	188681.65
G 35.0	114365.72	105618.54	115019.37	128806.12	116825.66	110768.38	112814.65	111786.20	111117.75	110809.31	111117.75	111786.20	112814.65
G 40.0	58403.93	52489.05	57726.80	65564.69	57461.89	53969.86	56090.29	58250.42	56510.44	52404.24	56510.44	58250.42	56090.29
G 45.0	29622.34	25758.11	27889.87	31619.19	27405.73	25671.26	28385.96	27121.06	25861.13	27034.43	25861.13	27121.06	28385.96
G 50.0	18622.69	15233.09	16272.63	18790.70	16021.50	14752.81	16512.49	15761.34	15166.12	15522.35	15166.12	15761.34	16512.49
G 55.0	11130.67	9166.62	9997.46	11599.86	9593.25	8935.31	10227.89	9183.04	8773.57	10421.00	8773.57	9183.04	10227.89
G 60.0	7205.02	6460.73	7811.63	9507.30	7882.53	6965.87	7057.23	7035.11	7451.20	9014.34	7451.20	7035.11	7057.23
G 65.0	8257.02	6591.16	7429.84	9057.97	7602.74	7025.11	8046.63	7468.15	7279.25	8473.48	7279.25	7468.15	8046.63
G 70.0	8757.36	7312.99	7014.55	7154.61	7044.14	7744.60	9089.95	7863.17	6943.38	7699.55	6943.38	7863.17	9089.95
G 75.0	8283.65	6846.22	6616.13	7027.65	6840.93	7394.02	8556.42	7323.43	6513.10	7416.37	6513.10	7323.43	8556.42
G 80.0	6577.99	5652.32	6008.68	6614.80	5548.80	6239.01	7841.46	6069.80	5205.83	7125.79	5205.83	6069.80	7841.46
G 85.0	4832.07	4887.30	5148.32	5355.66	4687.08	5000.17	5878.01	5074.65	4659.03	5570.07	4659.03	5074.65	5878.01
G 90.0	0.00	0.00	0.00	0.00	0.00	0.00	0.00	0.00	0.00	0.00	0.00	0.00	0.00

Luminaire		Measur.		Lamp									
Code	00-3219-S2-M2	Code	00-3219-S2-M2	Code	00-3219-S2-M2								
Name	Colgante BELL led 1x18W	Name	Colgante BELL led 1x18W	Number	1								
Line	- LEDS C4 LEDS	Date	02-06-2014	Position	Universal								
Efficiency	100.00%	Coordinate system	CG	Total Flux	1279.44 lm								
Luminance cd/m2 Table 2/3													
	C 130.00	C 140.00	C 150.00	C 160.00	C 170.00	C 180.00	C 190.00	C 200.00	C 210.00	C 220.00	C 230.00	C 240.00	C 250.00
G 0.0	558643.09	558643.09	558643.09	558643.09	558643.09	558643.09	558643.09	558643.09	558643.09	558643.09	558643.09	558643.09	558643.09
G 5.0	395762.72	399385.70	418503.93	401547.83	390990.22	407128.81	390990.22	401547.83	418503.93	399385.70	395762.72	410658.97	396164.09
G 10.0	343331.20	345981.70	358114.74	345879.09	338435.96	349447.31	338435.96	345879.09	358114.74	345981.70	343331.20	353252.87	345044.79
G 15.0	304536.99	310602.28	326325.52	313082.81	305248.53	318885.47	305248.53	313082.81	326325.52	310602.28	304536.99	314012.86	306603.28
G 20.0	280062.18	284305.60	296505.24	283306.49	274617.58	284455.83	274617.58	283306.49	296505.24	284305.60	280062.18	289242.32	284107.95
G 25.0	242513.06	246871.87	262337.62	245596.24	233531.99	243602.77	233531.99	245596.24	262337.62	246871.87	242513.06	249649.40	249182.85
G 30.0	176898.00	183758.49	200763.84	183095.22	169528.78	178951.74	169528.78	183095.22	200763.84	183758.49	176898.00	188681.65	183514.73
G 35.0	110768.38	116825.66	128806.12	115019.37	105618.54	114365.72	105618.54	115019.37	128806.12	116825.66	110768.38	112814.65	111786.20
G 40.0	53969.86	57461.89	65564.69	57726.80	52489.05	58403.93	52489.05	57726.80	65564.69	57461.89	53969.86	56090.29	58250.42
G 45.0	25671.26	27405.73	31619.19	27889.87	25758.11	29622.34	25758.11	27889.87	31619.19	27405.73	25671.26	28385.96	27121.06
G 50.0	14752.81	16021.50	18790.70	16272.63	15233.09	18622.69	15233.09	16272.63	18790.70	16021.50	14752.81	16512.49	15761.34
G 55.0	8935.31	9593.25	11599.86	9997.46	9166.62	11130.67	9166.62	9997.46	11599.86	9593.25	8935.31	10227.89	9183.04
G 60.0	6965.87	7882.53	9507.30	7811.63	6460.73	7205.02	6460.73	7811.63	9507.30	7882.53	6965.87	7057.23	7035.11
G 65.0	7025.11	7602.74	9057.97	7429.84	6591.16	8257.02	6591.16	7429.84	9057.97	7602.74	7025.11	8046.63	7468.15
G 70.0	7744.60	7044.14	7154.61	7014.55	7312.99	8757.36	7312.99	7014.55	7154.61	7044.14	7744.60	9089.95	7863.17
G 75.0	7394.02	6840.93	7027.65	6616.13	6846.22	8283.65	6846.22	6616.13	7027.65	6840.93	7394.02	8556.42	7323.43
G 80.0	6239.01	5548.80	6614.80	6008.68	5652.32	6577.99	5652.32	6008.68	6614.80	5548.80	6239.01	7841.46	6069.80
G 85.0	5000.17	4687.08	5355.66	5148.32	4887.30	4832.07	4887.30	5148.32	5355.66	4687.08	5000.17	5878.01	5074.65
G 90.0	0.00	0.00	0.00	0.00	0.00	0.00	0.00	0.00	0.00	0.00	0.00	0.00	0.00

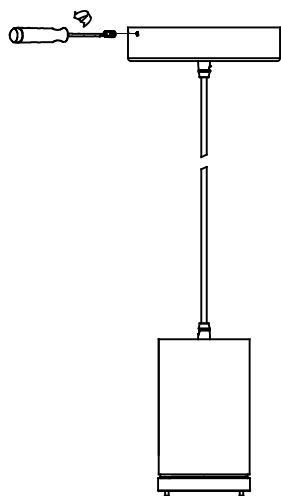
Luminaire		Measur.		Lamp	
Code	00-3219-S2-M2	Code	00-3219-S2-M2	Code	00-3219-S2-M2
Name	Colgante BELL led 1x18W	Name	Colgante BELL led 1x18W	Number	1
Line	- LEDS C4 LEDS	Date	02-06-2014	Position	Universal

Efficiency	100.00%	Coordinate system	CG	Total Flux	1279.44 lm
------------	---------	-------------------	----	------------	------------

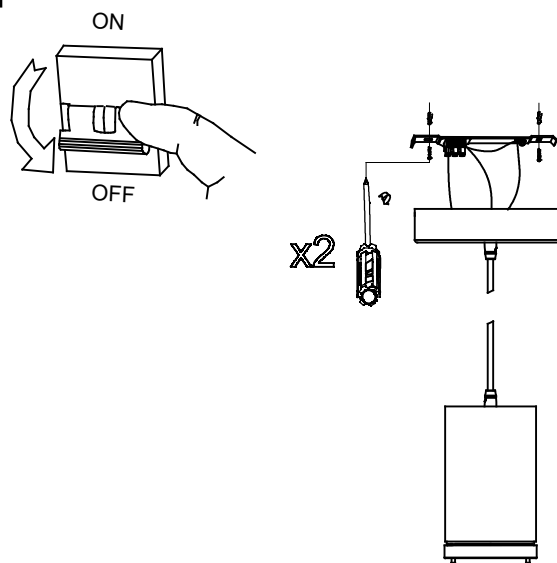
	Luminance cd/m2 Table 3/3												
	C 180.00	C 190.00	C 200.00	C 210.00	C 220.00	C 230.00	C 240.00	C 250.00	C 260.00	C 270.00	C 280.00	C 290.00	C 300.00
G 0.0	558643.09	558643.09	558643.09	558643.09	558643.09	558643.09	558643.09	558643.09	558643.09	558643.09	558643.09	558643.09	558643.09
G 5.0	407128.81	390990.22	401547.83	418503.93	399385.70	395762.72	410658.97	396164.09	389073.99	406662.40	389073.99	396164.09	410658.97
G 10.0	349447.31	338435.96	345879.09	358114.74	345981.70	343331.20	353252.87	345044.79	339268.79	346497.21	339268.79	345044.79	353252.87
G 15.0	318885.47	305248.53	313082.81	326325.52	310602.28	304536.99	314012.86	306603.28	301260.52	308164.14	301260.52	306603.28	314012.86
G 20.0	284455.83	274617.58	283306.49	296505.24	284305.60	280062.18	289242.32	284107.95	279557.33	284140.44	279557.33	284107.95	289242.32
G 25.0	243602.77	233531.99	245596.24	262337.62	246871.87	242513.06	249649.40	249182.85	244100.08	241257.62	244100.08	249182.85	249649.40
G 30.0	178951.74	169528.78	183095.22	200763.84	183758.49	176898.00	188681.65	183514.73	179180.88	186068.05	179180.88	183514.73	188681.65
G 35.0	114365.72	105618.54	115019.37	128806.12	116825.66	110768.38	112814.65	111786.20	111117.75	110809.31	111117.75	111786.20	112814.65
G 40.0	58403.93	52489.05	57726.80	65564.69	57461.89	53969.86	56090.29	58250.42	56510.44	52404.24	56510.44	58250.42	56090.29
G 45.0	29622.34	25758.11	27889.87	31619.19	27405.73	25671.26	28385.96	27121.06	25861.13	27034.43	25861.13	27121.06	28385.96
G 50.0	18622.69	15233.09	16272.63	18790.70	16021.50	14752.81	16512.49	15761.34	15166.12	15522.35	15166.12	15761.34	16512.49
G 55.0	11130.67	9166.62	9997.46	11599.86	9593.25	8935.31	10227.89	9183.04	8773.57	10421.00	8773.57	9183.04	10227.89
G 60.0	7205.02	6460.73	7811.63	9507.30	7882.53	6965.87	7057.23	7035.11	7451.20	9014.34	7451.20	7035.11	7057.23
G 65.0	8257.02	6591.16	7429.84	9057.97	7602.74	7025.11	8046.63	7468.15	7279.25	8473.48	7279.25	7468.15	8046.63
G 70.0	8757.36	7312.99	7014.55	7154.61	7044.14	7744.60	9089.95	7863.17	6943.38	7699.55	6943.38	7863.17	9089.95
G 75.0	8283.65	6846.22	6616.13	7027.65	6840.93	7394.02	8556.42	7323.43	6513.10	7416.37	6513.10	7323.43	8556.42
G 80.0	6577.99	5652.32	6008.68	6614.80	5548.80	6239.01	7841.46	6069.80	5205.83	7125.79	5205.83	6069.80	7841.46
G 85.0	4832.07	4887.30	5148.32	5355.66	4687.08	5000.17	5878.01	5074.65	4659.03	5570.07	4659.03	5074.65	5878.01
G 90.0	0.00	0.00	0.00	0.00	0.00	0.00	0.00	0.00	0.00	0.00	0.00	0.00	0.00



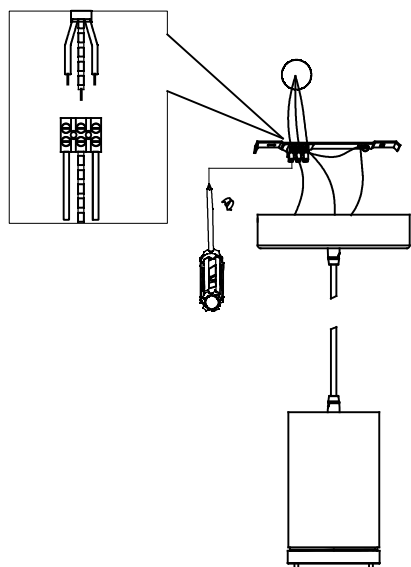
1



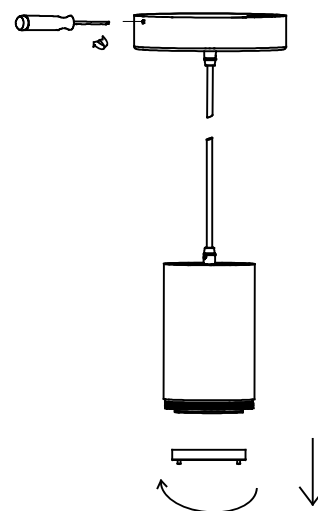
2



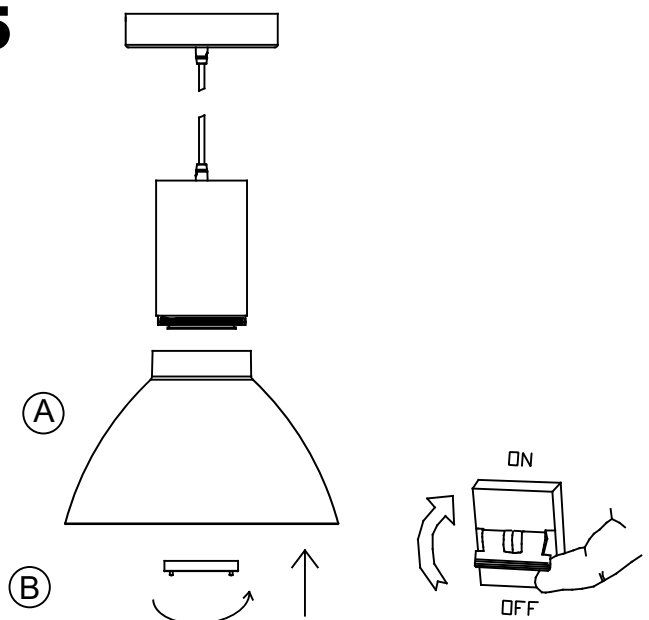
3



4



5



6

