

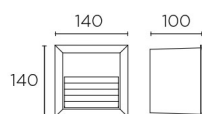
MICENAS Path Empotrable de pared



Descripción

Empotrado de pared de uso exterior para iluminar frontalmente y hacia abajo.

Incluye caja de empotrar. Incluye filtros para emular la luz cálida. Especialmente diseñada para ocultar toda la tornillería. Incluye 2 salidas de cable para facilitar la instalación en cadena. Material estructura: Aluminio inyectado. Acabado estructura: Gris. Material difusor: Policarbonato. Acabado difusor: Transparente. Protección contra los rayos ultravioleta. Garantía: 5 Años.



Acabado

Gris
Transparente

Material

Aluminio inyectado
Policarbonato



CARACTERÍSTICAS TÉCNICAS

Fuente de luz

Fuente de luz: LED REFOND
Potencia (W): 2W
Consumo total (W): 2W
Temperatura de color: Blanco neutro - 4000K
Riesgo fotobiológico: RG0
Lumens reales: 20
Nº Leds: 18
Lm/W reales: 10
Vida útil: 50.000h L70B30
Bin / Grup: WK3
MacAdam steps: 3
UGR: 29.7

EQUIPO

Marca: DRIVER AC
Equipo incluido: Sí, electrónico
Voltaje / Frecuencia: 220-240 VAC
Factor de potencia: 0.40

Luminaria

Doble salida cable: Sí
Drenaje: No
Protección UVA: Sí
Garantía: 5 Años

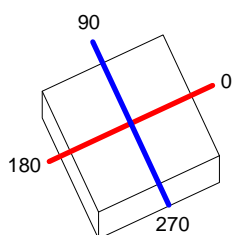
Logística

Eficiencia energética: LED A++
EAN: 8435381411527
Peso neto (Kg): 0.535
Peso en Kg (embalado): 0.617
Box: 145 x 105 x 145
Masterbox: 20

Luminaire		Measur.		Lamp		
Code	05-9770	Code	05-9770	Code	G02501	
Name	RECESSED	Name	RECESSED	Number	1	
Line	MICENAS	Date	29-06-2013	Position		
Efficiency	99.98%	Coordinate system	CG	Total Flux	19.71 lm	
Maximum value	16.59 cd	Position	C=0.00 G=70.00	Asymmetrical		
Rectangular Luminaire	Length	1 mm	Width	1 mm	Height	1 mm
Rectangular Luminous Area	Length	1 mm	Width	1 mm	Height	0 mm
Horizontal Luminous Area	0.000001 m2	Emitting area on Plane 180°		0.000000 m2		
Emitting area on Plane 0°	0.000000 m2	Emitting area on Plane 270°		0.000000 m2		
Emitting area on Plane 90°	0.000000 m2	Glare area at 76°		0.000000 m2		
Symmetry Type	Asymmetrical	Maximum Gamma Angle		90		
Measurement Distance	0.00	Measurement Flux		19.71 lm		
Operator		Source voltage				
Temperature	25.00 °C	Source current				
Humidity	60.00 %	Photocell				
Notes						

Luminaire Lamps						
Line	Code	Name	Flux [lm]	Pow. [W]	Q.ty	
IESNA-1995	G02501	Ed-á 3528 - 0.60 W	19.71	0.60	1	
C.I.E.	22 48 83 100 100	D DIN 5040	A10			
F UTE	1.00 J	B NBN	BZ 9 / 0.8 / BZ 8 / 2.5 / BZ 7			

1mm x 1mm



C Halfplanes

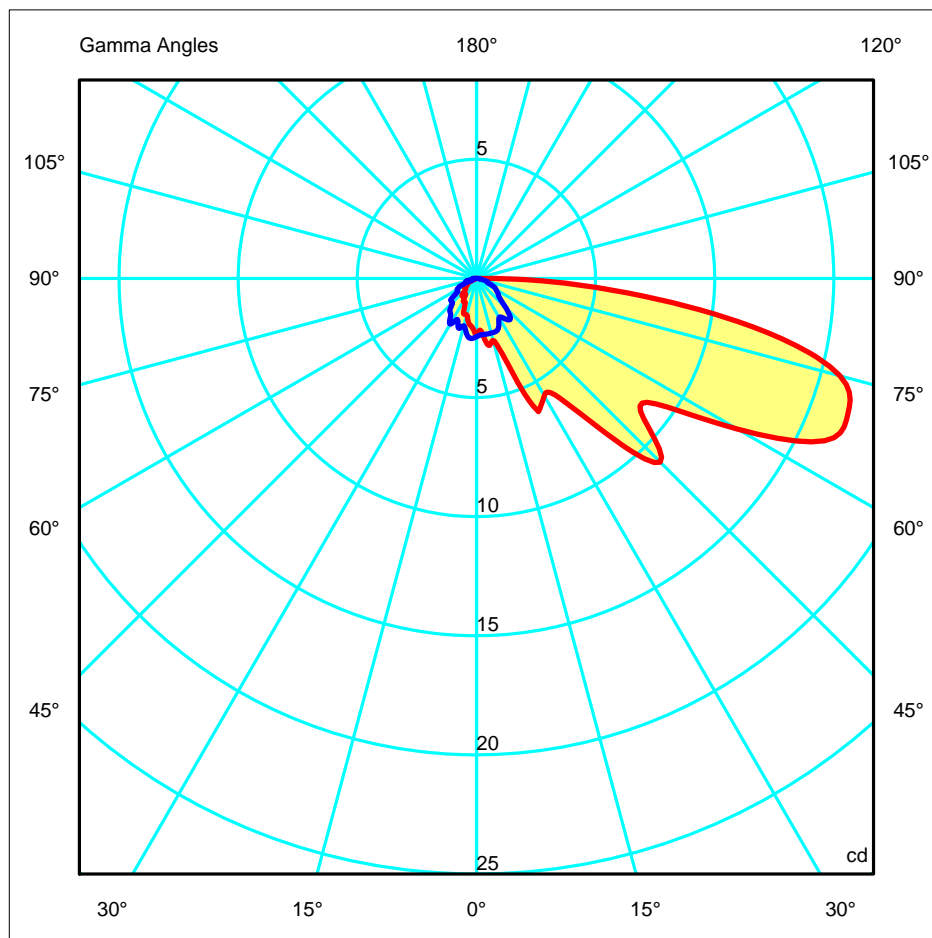
180.0 — 0.0

270.0 — 90.0

ULOR 0.00 %

DLOR 99.98 %

RN 0.00 %

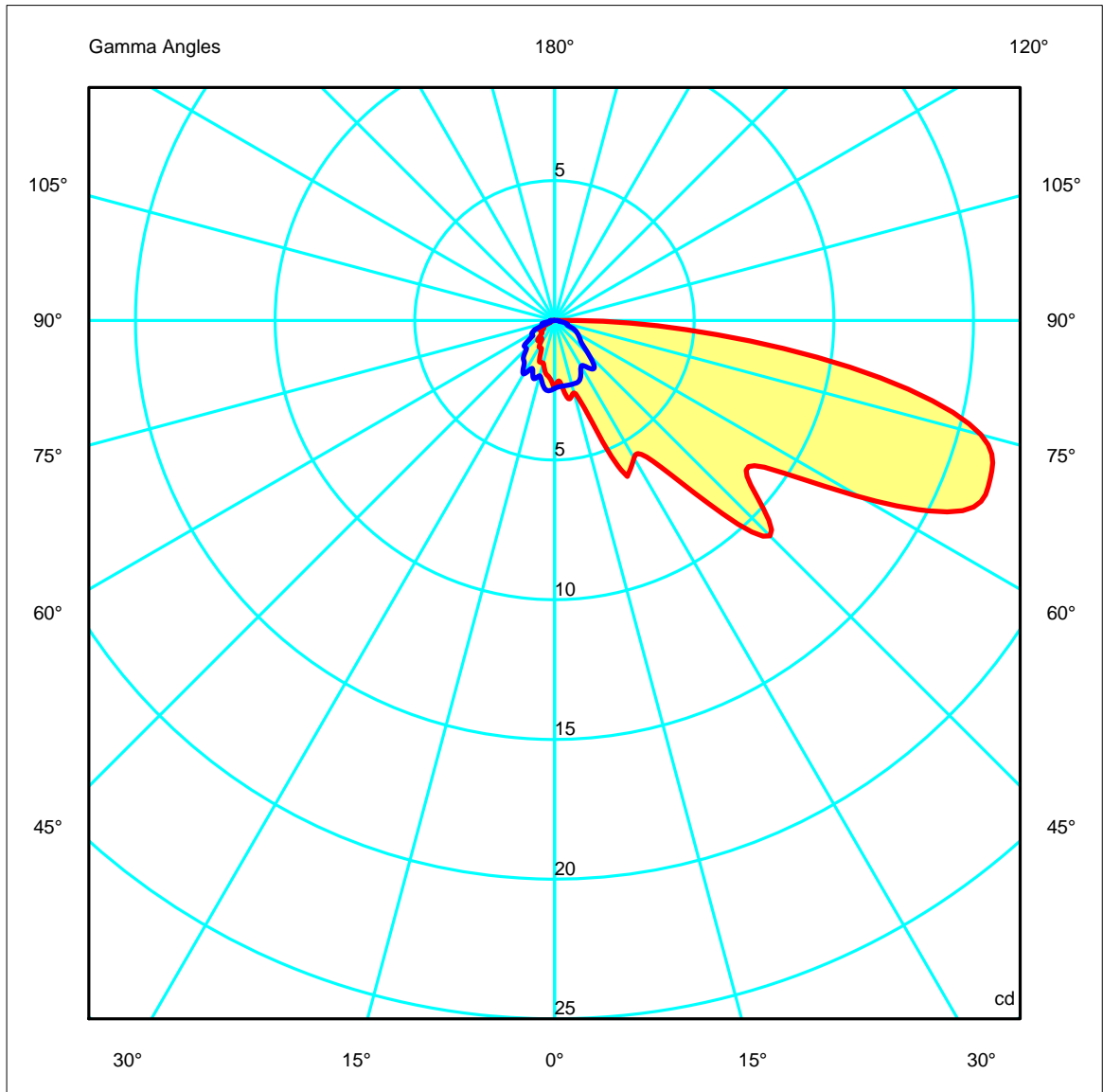
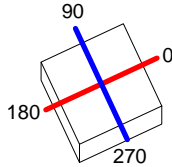


Luminaire		Measur.		Lamp	
Code	05-9770	Code	05-9770	Code	G02501
Name	RECESSED	Name	RECESSED	Number	1
Line	MICENAS	Date	29-06-2013	Position	
Efficiency	99.98%	Coordinate system	CG	Total Flux	19.71 lm

1mm x 1mm

C Halfplanes

180.0 ——— 0.0
 270.0 ——— 90.0



Luminaire
 Code 05-9770
 Name RECESSED
 Line MICENAS

Measur.
 Code 05-9770
 Name RECESSED
 Date 29-06-2013

Lamp
 Code G02501
 Number 1
 Position

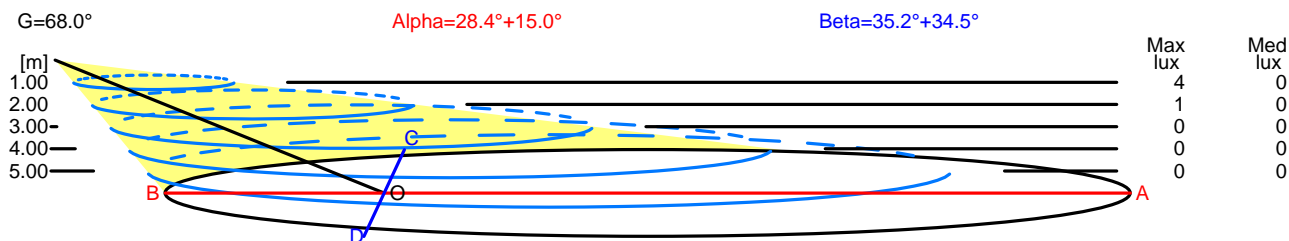
Efficiency 99.98% Coordinate system CG Total Flux 19.71 lm

Width at 50.00 % of MaxLux

H[m]	1.00	2.00	3.00	4.00	5.00	H[m]	1.00	2.00	3.00	4.00	5.00
OA	5.61	11.22	16.84	22.45	28.06	OC	1.88	3.77	5.65	7.53	9.41
OB	1.65	3.29	4.94	6.59	8.23	OD	1.84	3.67	5.51	7.35	9.19

Luminous Intensities [cd]

	0	5	15	25	35	45	55	65	75	85
OA	2.43	2.21	2.69	6.16	6.16	10.90	9.16	16.12	15.80	5.85
OB	2.43	2.05	1.58	1.11	0.79	0.63	0.47	0.16	0.16	0.16
OC	2.43	2.37	2.37	2.21	2.05	1.74	1.11	0.79	0.47	0.16
OD	2.43	2.53	2.05	1.90	1.90	1.42	0.95	0.79	0.47	0.16



H[m]	D[m]	Max lux	Med lux	Alpha=28.4°+15.0°	G=68.0
1.00	7.26	4	0		
2.00	14.52	1	0		
3.00	21.78	0	0		
4.00	29.03	0	0		
5.00	36.29	0	0		

H[m]	D[m]	Max lux	Med lux	Beta=34.5°+35.2°	G=0.0
1.00	3.72	4	0		
2.00	7.44	1	0		
3.00	11.16	0	0		
4.00	14.88	0	0		
5.00	18.60	0	0		

Luminaire
 Code 05-9770
 Name RECESSED
 Line MICENAS

Measuram.
 Code 05-9770
 Name RECESSED
 Date 29-06-2013

Lamp
 Code G02501
 Number 1
 Position

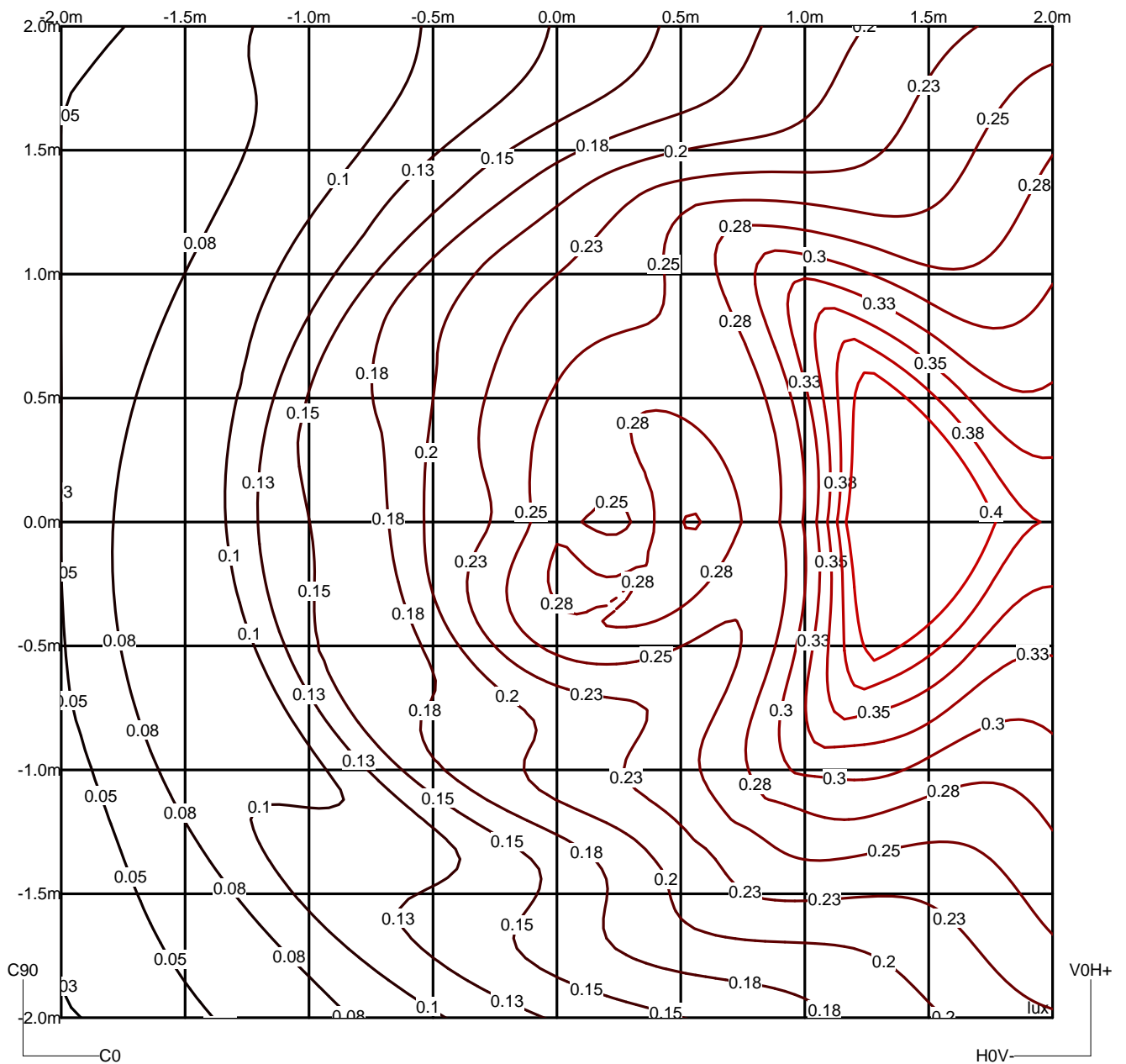
Efficiency 99.98%

Coordinate system CG

Total Flux 19.71 lm

Isolux (Floor)

Luminaire position X=0.00m Y=0.00m Z=3.00m



Luminaire
 Code 05-9770
 Name RECESSED
 Line MICENAS

Measur.
 Code 05-9770
 Name RECESSED
 Date 29-06-2013

Lamp
 Code G02501
 Number 1
 Position

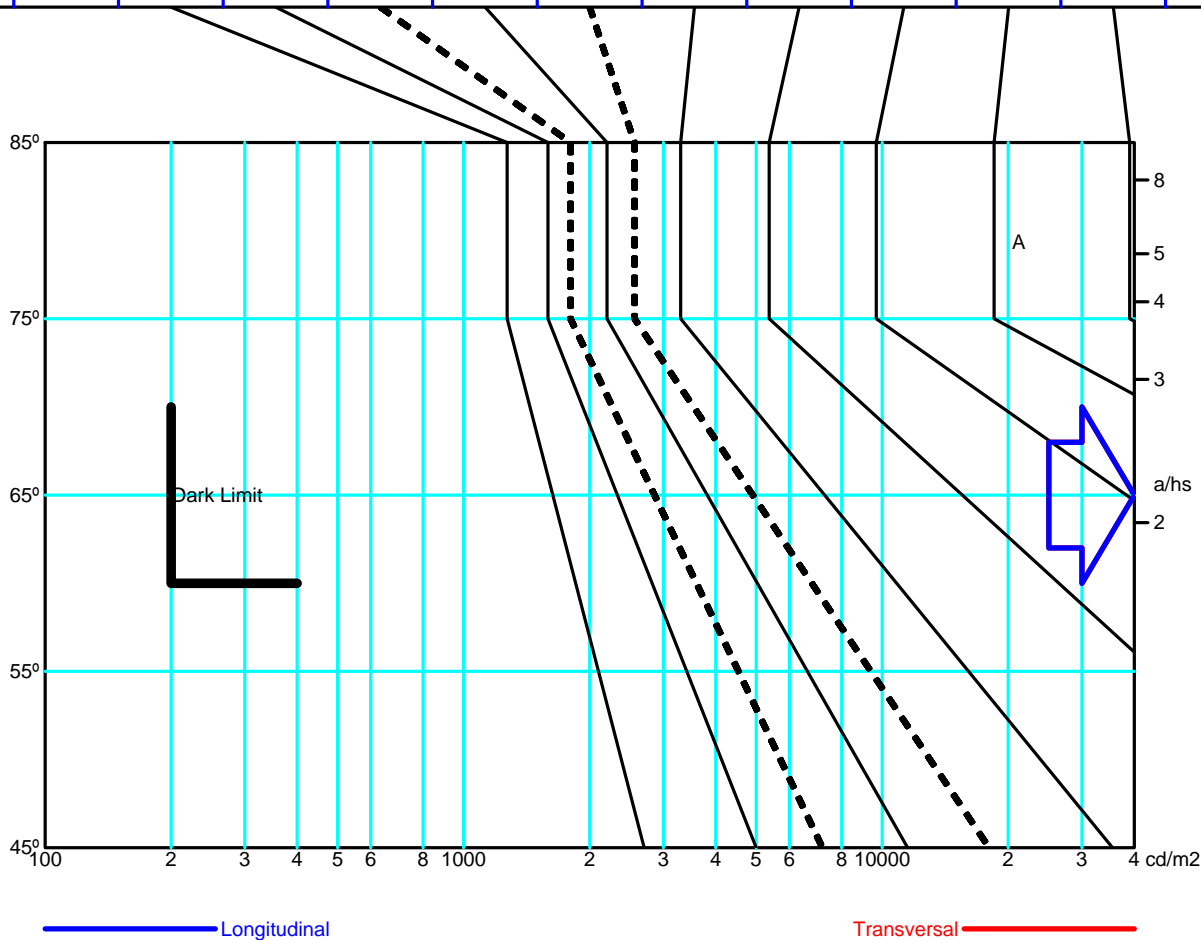
Efficiency 99.98%

Coordinate system CG

Total Flux 19.71 lm

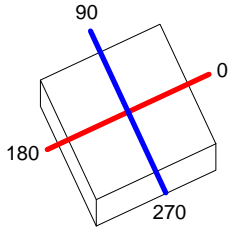
		Average Luminance [cd/m ²]									
		45°	50°	55°	60°	65°	70°	75°	80°	85°	
0.0°	15418181	14257120	15977469	25280800	38134888	48507377	61048444	68243734	67077622	---	
90.0°	2458045	1966435	1928252	1896000	1869299	1385883	1831395	909886	1812847	---	

Flush mounted or longitudinal view												
		Illumination(lx)										
A	A	2000	1000	750	500		<300				1.15	
B	1		2000	1500	1000	750	500	<300			1.5	
C					2000		1000	500	<300		1.85	
D	2						2000	1000	500	<300	2.2	
E	3							2000	1000	500	<300	2.55



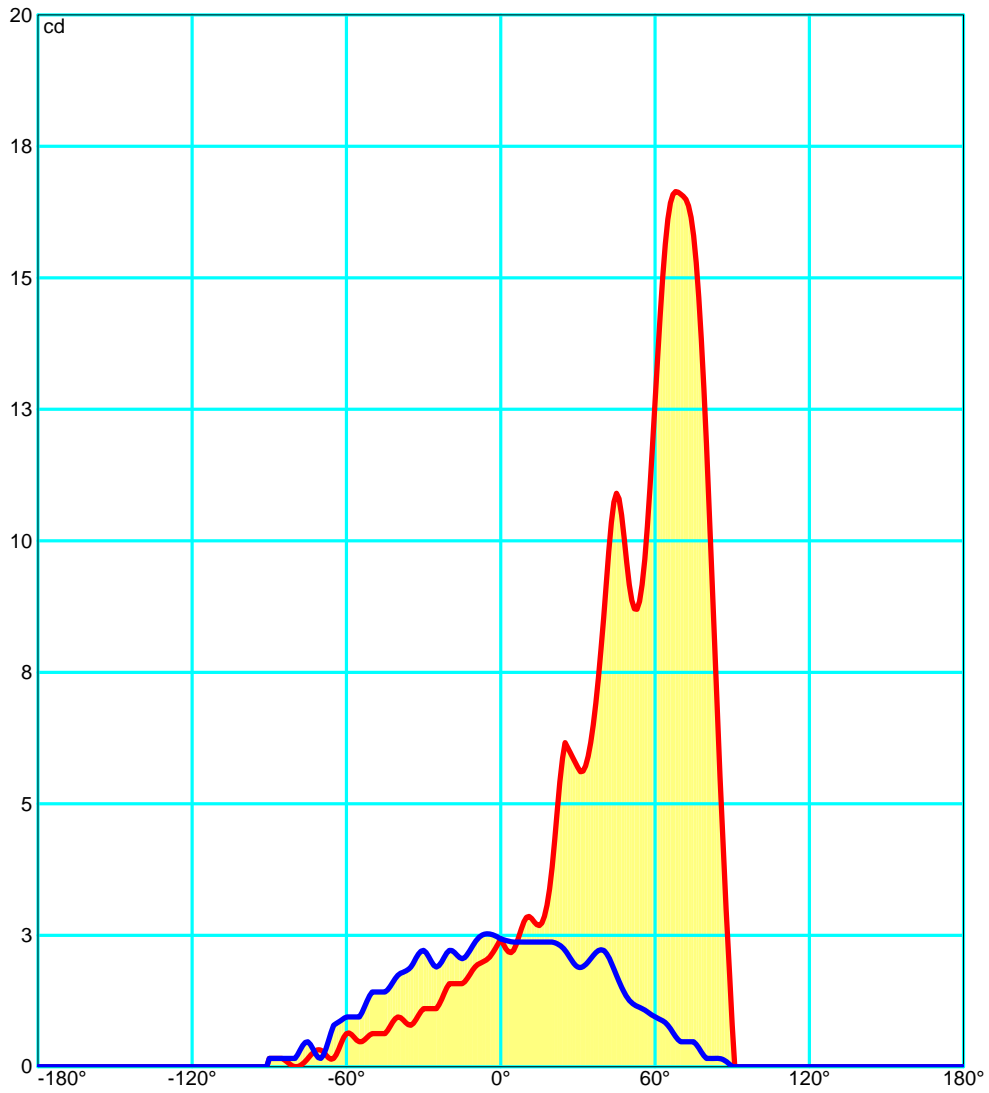
Luminaire		Measur.		Lamp	
Code	05-9770	Code	05-9770	Code	G02501
Name	RECESSED	Name	RECESSED	Number	1
Line	MICENAS	Date	29-06-2013	Position	
Efficiency	99.98%	Coordinate system	CG	Total Flux	19.71 lm

1mm x 1mm



C Halfplanes

180.0 ———— 0.0
270.0 ———— 90.0



Luminaire		Measur.		Lamp	
Code	05-9770	Code	05-9770	Code	G02501
Name	RECESSED	Name	RECESSED	Number	1
Line	MICENAS	Date	29-06-2013	Position	
Efficiency	99.98%	Coordinate system	CG	Total Flux	19.71 lm

UGR
S = 0.250

Reflectancies										
Ceiling/Cavity	0.7	0.7	0.5	0.5	0.3	0.7	0.7	0.5	0.5	0.3
Walls	0.5	0.3	0.5	0.3	0.3	0.5	0.3	0.5	0.3	0.3
WorkingPlane	0.2	0.2	0.2	0.2	0.2	0.2	0.2	0.2	0.2	0.2
RoomDimensions	ViewedCrosswise					ViewedEndwise				
x=2H y=2H	29.7	31.5	30.0	31.7	41.1	38.8	40.6	39.1	40.8	41.1
x=2H y=3H	30.7	32.3	31.0	32.6	42.6	40.4	42.0	40.8	42.3	42.6
x=2H y=4H	31.3	32.9	31.7	33.2	43.4	41.2	42.7	41.6	43.0	43.4
x=2H y=6H	31.3	32.7	31.6	33.1	43.8	41.6	43.1	42.0	43.4	43.8
x=2H y=8H	31.3	32.7	31.7	33.1	43.8	41.7	43.1	42.1	43.5	43.8
x=2H y=12H	32.0	33.4	32.4	33.8	43.9	41.8	43.2	42.2	43.5	43.9
x=4H y=2H	30.4	31.9	30.8	32.2	45.8	43.6	45.2	44.0	45.5	45.8
x=4H y=3H	31.6	33.0	32.1	33.4	47.5	45.4	46.8	45.9	47.2	47.5
x=4H y=4H	32.3	33.6	32.8	34.0	48.4	46.3	47.6	46.8	48.0	48.4
x=4H y=6H	32.3	33.4	32.8	33.8	48.8	46.9	48.0	47.3	48.4	48.8
x=4H y=8H	32.4	33.4	32.8	33.8	48.8	47.0	48.0	47.4	48.4	48.8
x=4H y=12H	33.4	34.3	33.8	34.7	48.9	47.0	48.0	47.5	48.4	48.9
x=8H y=4H	32.7	33.8	33.2	34.2	51.5	49.7	50.7	50.1	51.1	51.5
x=8H y=6H	32.8	33.6	33.2	34.1	52.2	50.4	51.3	50.9	51.7	52.2
x=8H y=8H	32.9	33.7	33.4	34.2	52.3	50.6	51.4	51.1	51.8	52.3
x=8H y=12H	34.3	34.9	34.8	35.4	52.4	50.7	51.4	51.2	51.9	52.4
x=12H y=4H	32.7	33.7	33.2	34.1	52.2	50.4	51.4	50.9	51.8	52.2
x=12H y=6H	32.8	33.6	33.3	34.1	53.1	51.4	52.1	51.9	52.6	53.1
x=12H y=8H	33.1	33.8	33.6	34.2	53.3	51.7	52.4	52.2	52.8	53.3

Luminaire

Code 05-9770
 Name RECESSED
 Line MICENAS

Measuram.

Code 05-9770
 Name RECESSED
 Date 29-06-2013

Lamp

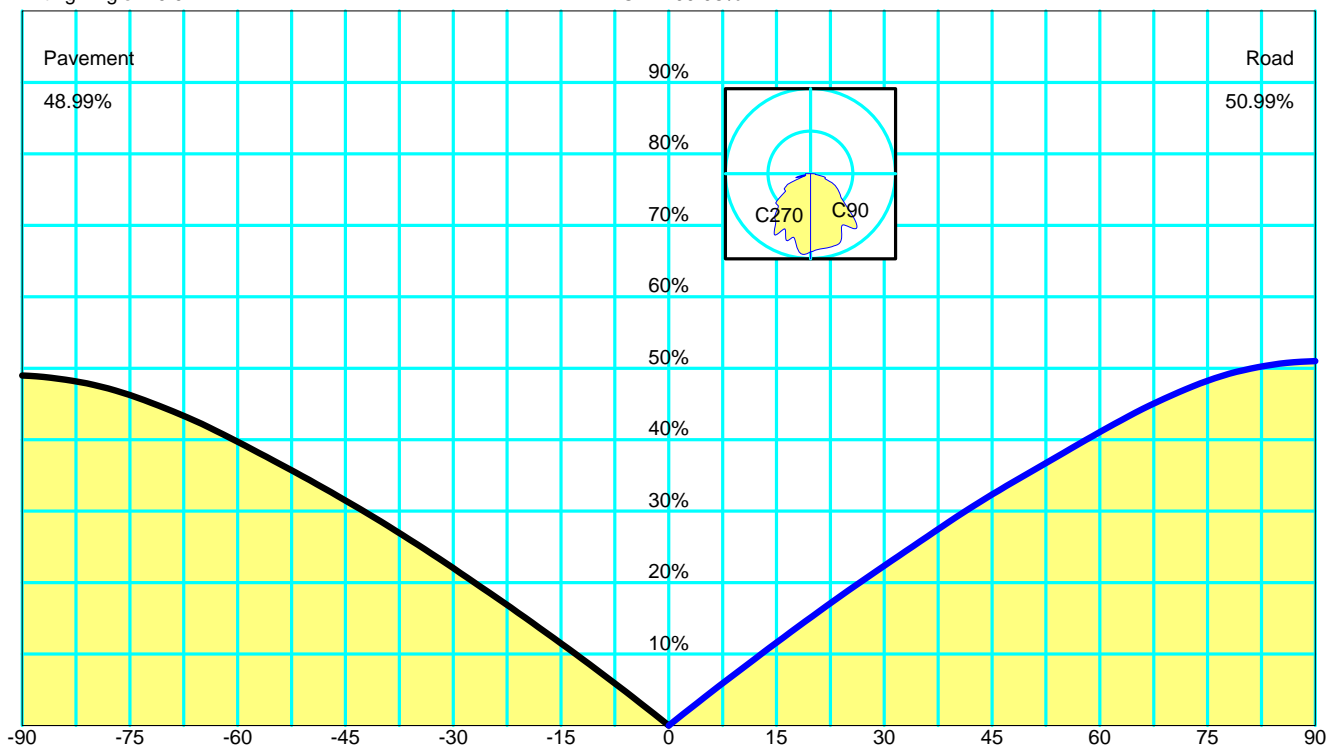
Code G02501
 Number 1
 Position

Efficiency 99.98% Coordinate system CG Total Flux 19.71 lm

Pavement			Road		
Piano	0	0.00%	Piano	0	0.00%
Piano	-5	3.96%	Piano	5	3.96%
Piano	-10	7.79%	Piano	10	7.82%
Piano	-15	11.49%	Piano	15	11.60%
Piano	-20	15.11%	Piano	20	15.30%
Piano	-25	18.60%	Piano	25	18.89%
Piano	-30	22.03%	Piano	30	22.35%
Piano	-35	25.34%	Piano	35	25.77%
Piano	-40	28.50%	Piano	40	29.15%
Piano	-45	31.49%	Piano	45	32.33%
Piano	-50	34.35%	Piano	50	35.28%
Piano	-55	37.06%	Piano	55	38.18%
Piano	-60	39.71%	Piano	60	41.07%
Piano	-65	42.21%	Piano	65	43.81%
Piano	-70	44.37%	Piano	70	46.21%
Piano	-75	46.24%	Piano	75	48.25%
Piano	-80	47.66%	Piano	80	49.73%
Piano	-85	48.54%	Piano	85	50.63%
Piano	-90	48.99%	Piano	90	50.99%

Tilting Angle = 0.0

DLOR = 99.98%



Spread 20.1° Narrow
 Throw 69.7° Intermediate
 SLI (glare) 2.7 Moderate
 CIE Cutoff Non Cutoff - Max: C=0.0° Gamma=70.0°
 IESNA Cutoff Non Cutoff
 DIN5044 --

DLOR 99.98414 %
 ULOR 0.00000 %
 Efficiency 99.98414 %
 RN 0.00000 %
 Luminous Intensity Class GU
 Glare Index D0

IESNA Type II Very Short Asymmetrical

Luminaire

 Code 05-9770
 Name RECESSED
 Line MICENAS

Measur.

 Code 05-9770
 Name RECESSED
 Date 29-06-2013

Lamp

 Code G02501
 Number 1
 Position

Efficiency 99.98%

Coordinate system CG

Total Flux 19.71 lm

Total Flux= 19.71 Luminaire Flux= 19.71

RI	0.60	0.80	1.00	1.25	1.50	2.00	2.50	3.00	4.00	5.00	10.00	20.00
DRR	0.15	0.20	0.25	0.32	0.38	0.47	0.54	0.60	0.68	0.73	0.86	0.93
RC	9	9	9	9	9	9	8	8	8	8	7	7

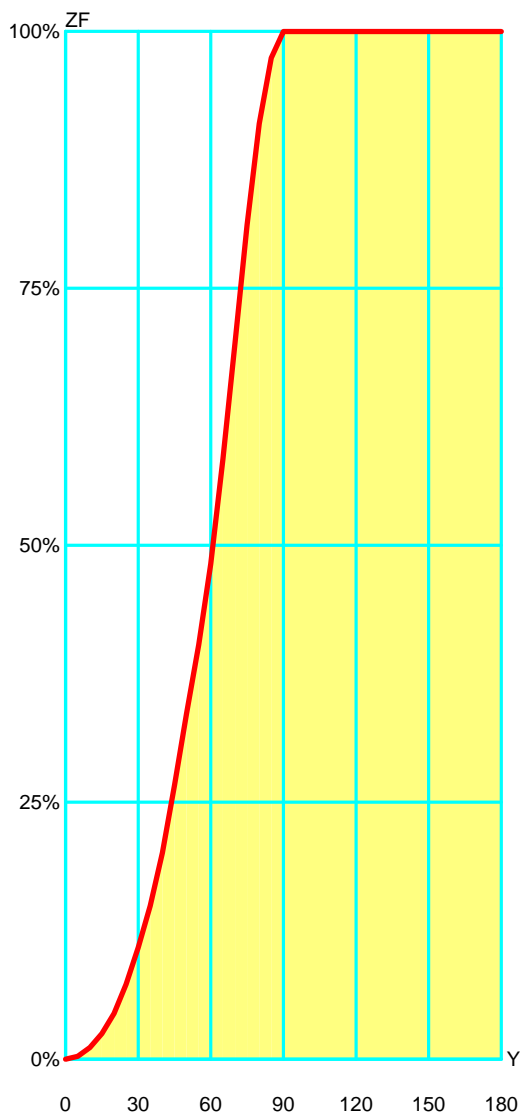
Zonal Flux per 1000 Lumen

Y°	10	20	30	40	50	60	70	80	90	100	110	120	130	140	150	160	170	180
ZF(Y)	11	44	109	201	337	482	697	910	1000	1000	1000	1000	1000	1000	1000	1000	1000	1000

CIE Flux Codes

22 48 83 100 100

C.I.E.	9/9/9/9/9/8/8/8/7/7	LOR	99.98414 %
D DIN 5040	A10	ULOR	0.00000 %
F UTE	1.00 J	DLOR	99.98414 %
B NBN	BZ 9 / 0.8 / BZ 8 / 2.5 / BZ 7	UFF	0.00000 %
RN	0.00000 %	DFF	100.00000 %
BLF	1.0	FFR	0.00000 %



Zonal Flux				
Gamma °	Flux	Sum lm	Flux [%]	Sum [%]
0°	0.00	0.00	0.00%	0.00%
5°	2.87	2.87	0.29%	0.29%
10°	8.46	11.33	0.85%	1.13%
15°	13.67	25.00	1.37%	2.50%
20°	19.49	44.49	1.95%	4.45%
25°	28.38	72.86	2.84%	7.29%
30°	35.76	108.62	3.58%	10.86%
35°	40.73	149.35	4.07%	14.94%
40°	51.49	200.84	5.15%	20.09%
45°	66.05	266.90	6.61%	26.69%
50°	69.65	336.55	6.97%	33.66%
55°	66.67	403.22	6.67%	40.33%
60°	78.75	481.97	7.88%	48.20%
65°	101.83	583.80	10.18%	58.39%
70°	113.67	697.47	11.37%	69.76%
75°	114.20	811.67	11.42%	81.18%
80°	98.67	910.34	9.87%	91.05%
85°	63.71	974.05	6.37%	97.42%
90°	25.79	999.84	2.58%	100.00%
95°	0.00	999.84	0.00%	100.00%
100°	0.00	999.84	0.00%	100.00%
105°	0.00	999.84	0.00%	100.00%
110°	0.00	999.84	0.00%	100.00%
115°	0.00	999.84	0.00%	100.00%
120°	0.00	999.84	0.00%	100.00%
125°	0.00	999.84	0.00%	100.00%
130°	0.00	999.84	0.00%	100.00%
135°	0.00	999.84	0.00%	100.00%
140°	0.00	999.84	0.00%	100.00%
145°	0.00	999.84	0.00%	100.00%
150°	0.00	999.84	0.00%	100.00%
155°	0.00	999.84	0.00%	100.00%
160°	0.00	999.84	0.00%	100.00%
165°	0.00	999.84	0.00%	100.00%
170°	0.00	999.84	0.00%	100.00%
175°	0.00	999.84	0.00%	100.00%
180°	0.00	999.84	0.00%	100.00%

Luminaire
 Code 05-9770
 Name RECESSED
 Line MICENAS

Measur.
 Code 05-9770
 Name RECESSED
 Date 29-06-2013

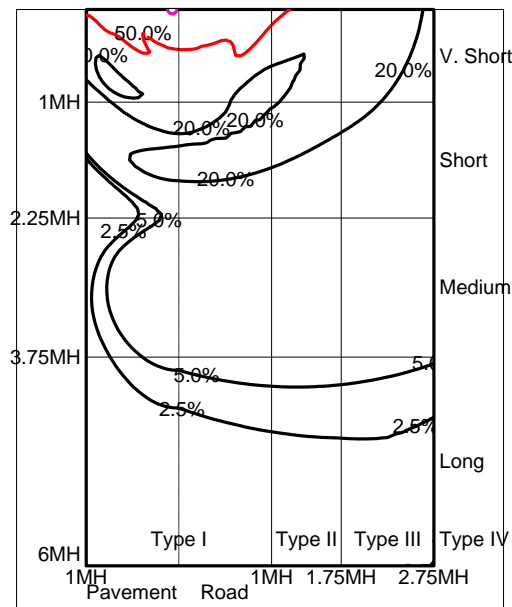
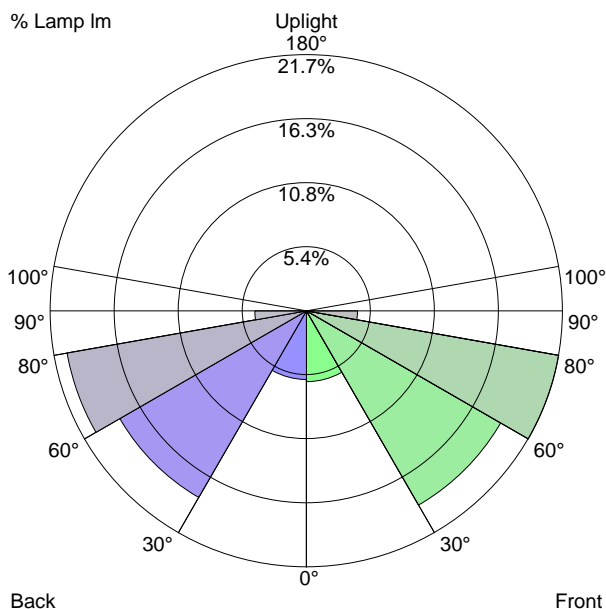
Lamp
 Code G02501
 Number 1
 Position

Efficiency 99.98%

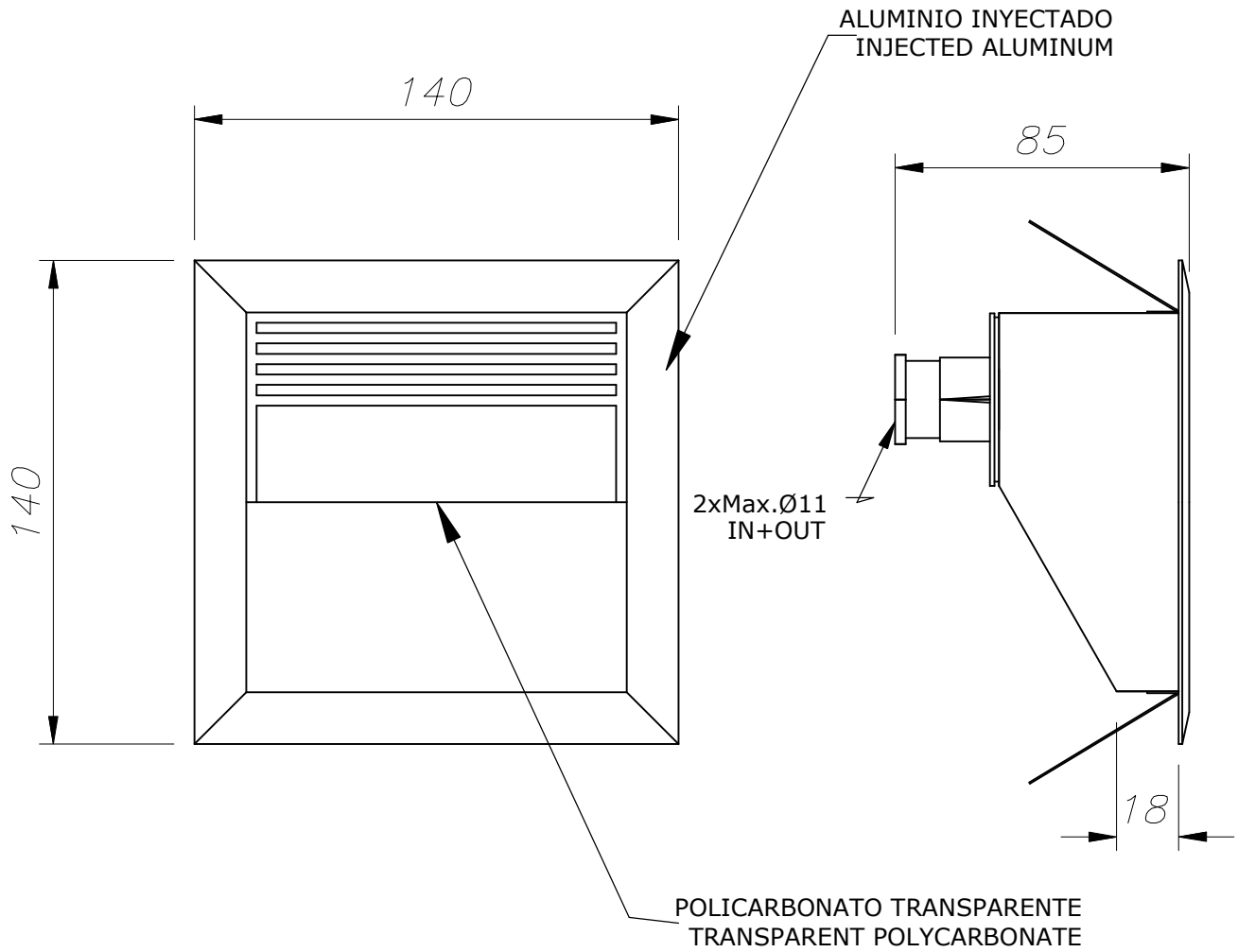
Coordinate system CG

Total Flux 19.71 lm

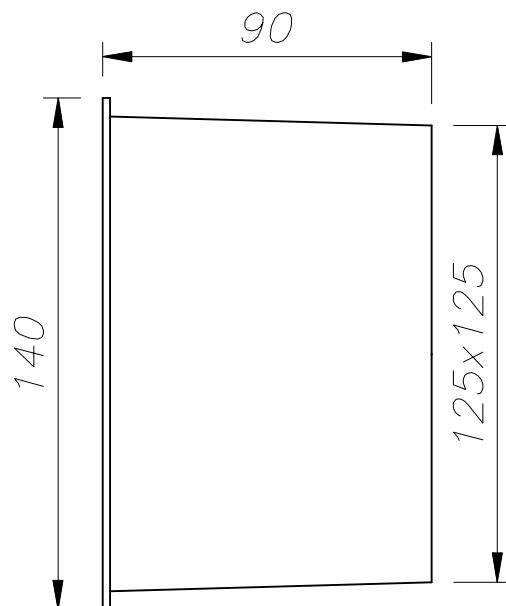
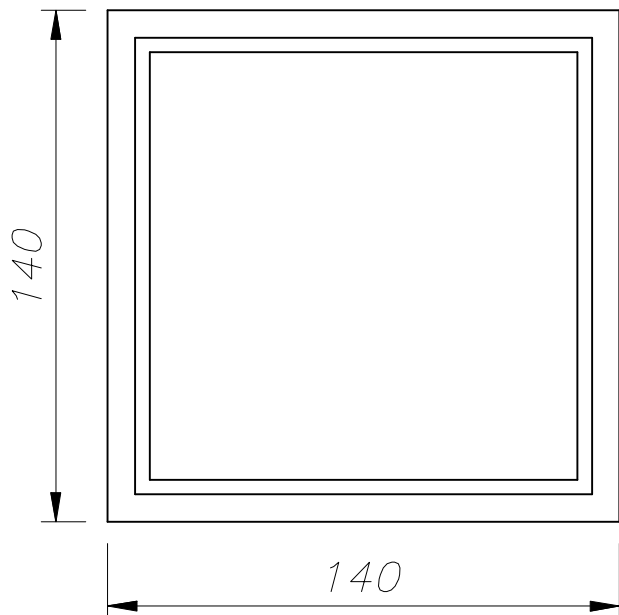
US ROAD STANDARDS



Luminaire Classification System (LCS)			
LCS Zone	Lumens	%Lamp	%Lum
FL	0° -- 30°	1.2 lm	6.0 %
FM	30° -- 60°	3.7 lm	19.0 %
FH	60° -- 80°	4.3 lm	21.7 %
FVH	80° -- 90°	0.9 lm	4.3 %
BL	0° -- 30°	1.1 lm	5.8 %
BM	30° -- 60°	3.6 lm	18.2 %
BH	60° -- 80°	4.1 lm	20.6 %
BVH	80° -- 90°	0.9 lm	4.4 %
UL	90° -- 100°	0.0 lm	0.0 %
UH	100° -- 180°	0.0 lm	0.0 %
TOTALS		19.7 lm	100.0 %
BUG B0 U0 G0 Type II Very Short Asymmetrical			



Fitting box
Caja de empotrar



Item entry
Colocación de
la pieza por aquí

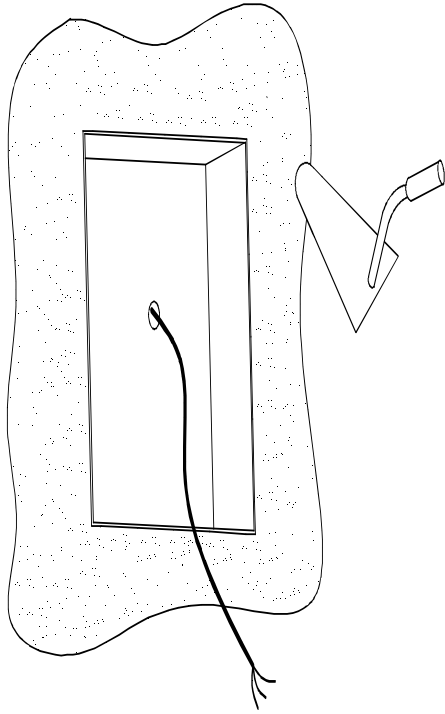


LEDS-C4

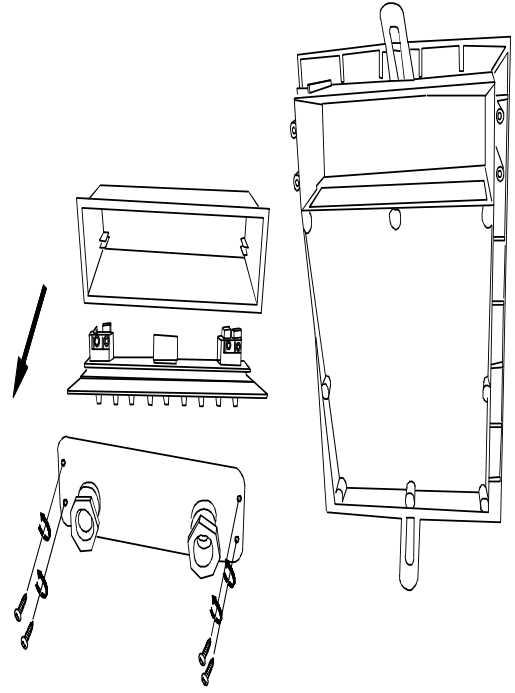
OUTDOOR

05-9770

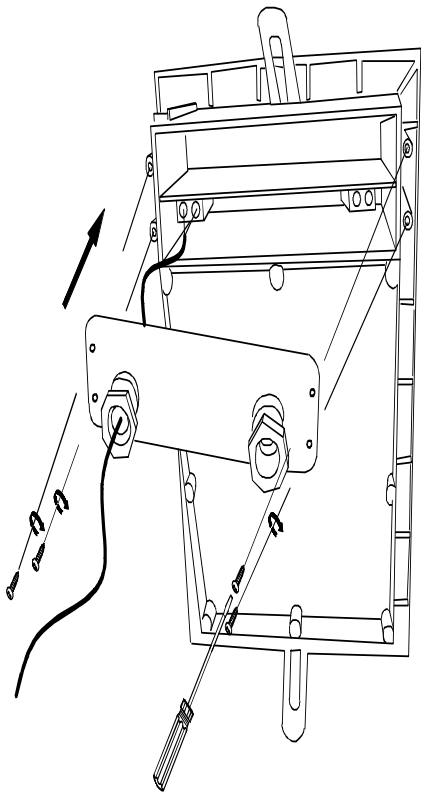
①



②



③



④

