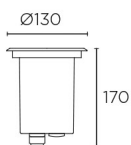


GEA Technopolymer Empotrable de suelo



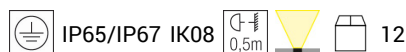
Descripción

Empotrado de suelo de uso exterior para iluminar hacia arriba.

Incluye caja de empotrar. Altamente protegido contra la humedad permanente, permite instalarse directamente en el suelo o en el césped sin necesidad de utilizar un bloque de hormigón. Apto para instalar en ambientes con atmósfera marina. Incluye 2 salidas de cable para facilitar la instalación en cadena. Temperatura máxima en la superficie de la luminaria inferior a 80°C. Material estructura: Tecnopolímero. Acabado estructura: Gris urbano. Material difusor: Cristal. Acabado difusor: Templado. Protección contra los rayos ultravioleta. Garantía: 5 Años.

Acabado
Gris urbano
Templado

Material
Tecnopolímero
Cristal



CARACTERÍSTICAS TÉCNICAS

Fuente de luz

Portalamparas: 1 x GU10
Potencia (W): MAX 50W
Consumo total (W): 50
Medida max. bombilla: 80/ mm
Lumens reales: 525
Cantidad: 1
Lm/W reales: 11
UGR: 19.9

EQUIPO

Voltaje / Frecuencia:
100-240VAC/50-60Hz

Luminaria

Temperatura en la superficie: 80.00
Doble salida cable: Sí
Drenaje: Sí
Empotrable: Si
Zona de paso: 1000
Seaside: Sí
Protección UVA: Sí
Garantía: 5 Años

Logística

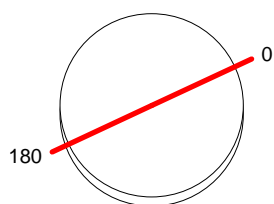
Eficiencia energética: NO BULB
EAN: 8435111088777
Peso neto (Kg): 0.625
Peso en Kg (embalado): 0.720
Box: 130 x 130 x 180
Masterbox: 12

El acabado de la fotografía puede no coincidir con el de la referencia. Para identificar el real ver descripción del acabado.

Luminaire		Measur.		Lamp	
Code	55-9567-Z5-37	Code	55-9567-Z5-37	Code	HALOPAR 16 50W
Name	HALOPAR 16 50W Aluminium-Reflektor	Name	HALOPAR 16 50W Aluminium-Reflektor	Number	1
Line	Eulumdat	Date	27-01-2000	Position	
Efficiency	100.04%	Coordinate system	CG	Total Flux	525.00 lm
Maximum value	1202.78 cd	Position	C=0.00 G=1.00	Rotosymmetrical	
Round Luminaire	Diam.	51 mm	Height	53 mm	
Round Luminous Area	Diam.	51 mm	Height	0 mm	
Horizontal Luminous Area	0.002043 m2	Emitting area on Plane 180°	0.000000 m2		
Emitting area on Plane 0°	0.000000 m2	Emitting area on Plane 270°	0.000000 m2		
Emitting area on Plane 90°	0.000000 m2	Glare area at 76°	0.000494 m2		
Symmetry Type	Rotosymmetrical	Maximum Gamma Angle	180		
Measurement Distance	0.00	Measurement Flux	525.00 lm		
Operator		Source voltage			
Temperature	25.00 °C	Source current			
Humidity	60.00 %	Photocell			
Notes					

Luminaire Lamps						
Line	Code	Name	Flux [lm]	Pow. [W]	Q.ty	
Eulumdat	HALOPAR 16 50W	HALOPAR 16 50W - 50.00 W	525.00	50.00	1	
C.I.E.	82 94 97 100 100	D DIN 5040	A60			
F UTE	1.00 B	B NBN	BZ 1			

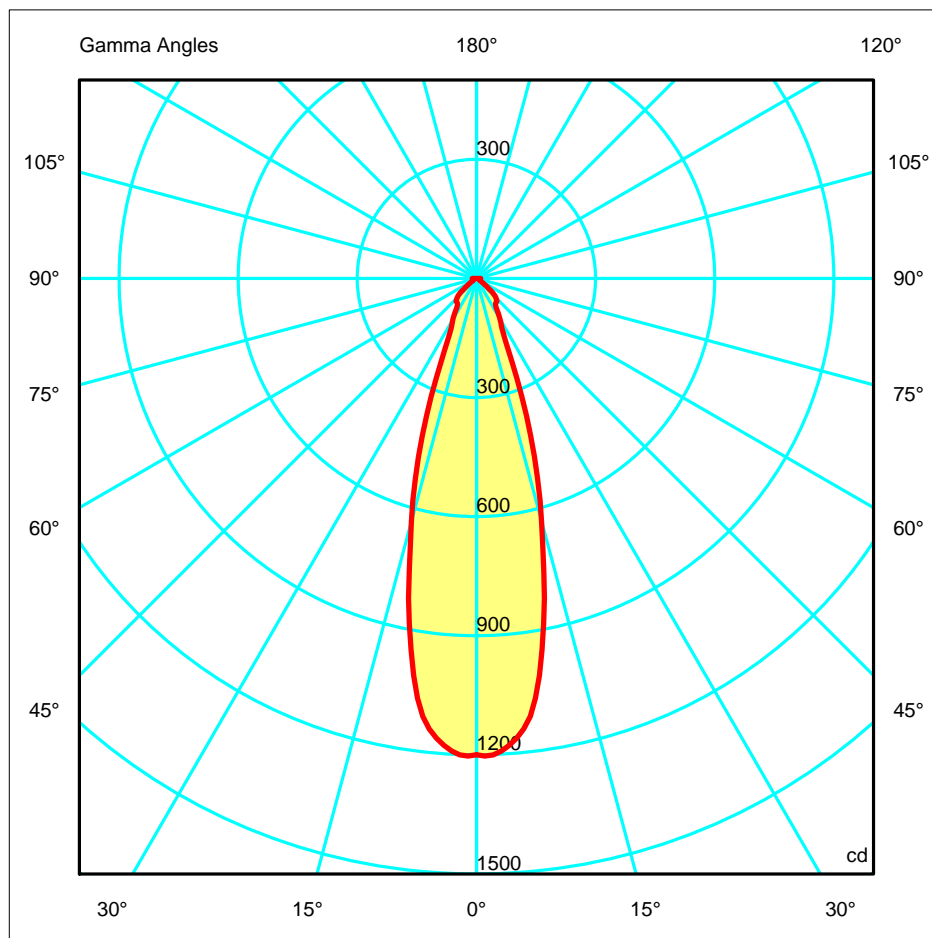
Diam=51mm



C Halfplanes

180.0 — 0.0

ULOR 0.11 %
DLOR 99.93 %
RN 0.11 %



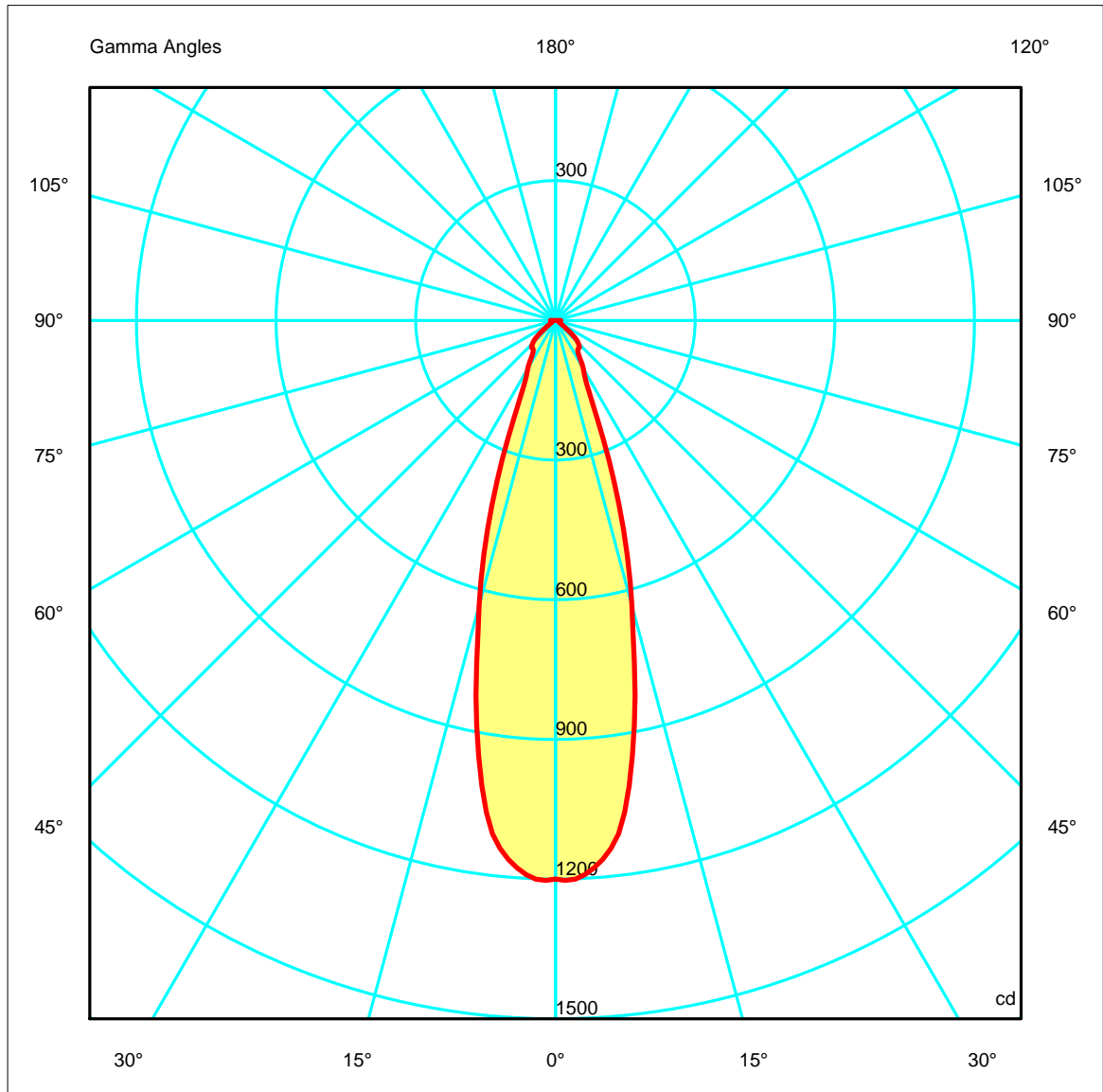
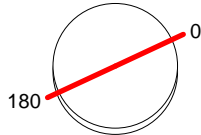
Luminaire	Measur.	Lamp
Code 55-9567-Z5-37	Code 55-9567-Z5-37	Code HALOPAR 16 50W
Name HALOPAR 16 50W Aluminium-Reflektor	Name HALOPAR 16 50W Aluminium-Reflektor	Number 1
Line Eulmdat	Date 27-01-2000	Position

Efficiency 100.04%	Coordinate system CG	Total Flux 525.00 lm
--------------------	----------------------	----------------------

Diam=51mm

C Halfplanes

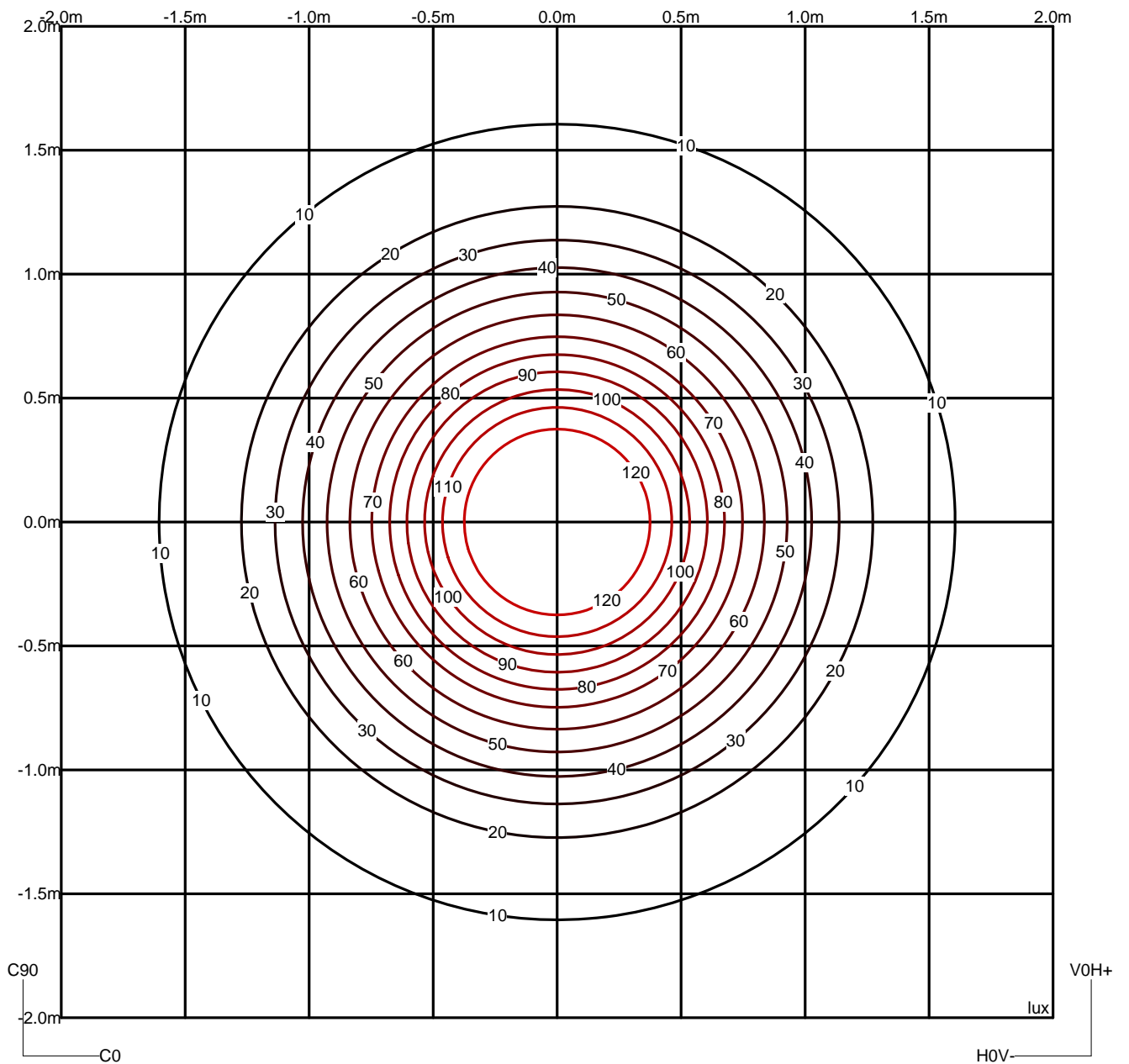
180.0 ————— 0.0



Luminaire		Measur.		Lamp	
Code	55-9567-Z5-37	Code	55-9567-Z5-37	Code	HALOPAR 16 50W
Name	HALOPAR 16 50W Aluminium-Reflektor	Name	HALOPAR 16 50W Aluminium-Reflektor	Number	1
Line	Eulmdat	Date	27-01-2000	Position	
Efficiency	100.04%	Coordinate system	CG	Total Flux	525.00 lm

Isolux (Floor)

Luminaire position X=0.00m Y=0.00m Z=3.00m



Luminaire

Code 55-9567-Z5-37
 Name HALOPAR 16 50W Aluminium-Reflektor
 Line Eulmdat

Measur.

Code 55-9567-Z5-37
 Name HALOPAR 16 50W Aluminium-Reflektor
 Date 27-01-2000

Lamp

Code HALOPAR 16 50W
 Number 1
 Position

Efficiency 100.04%

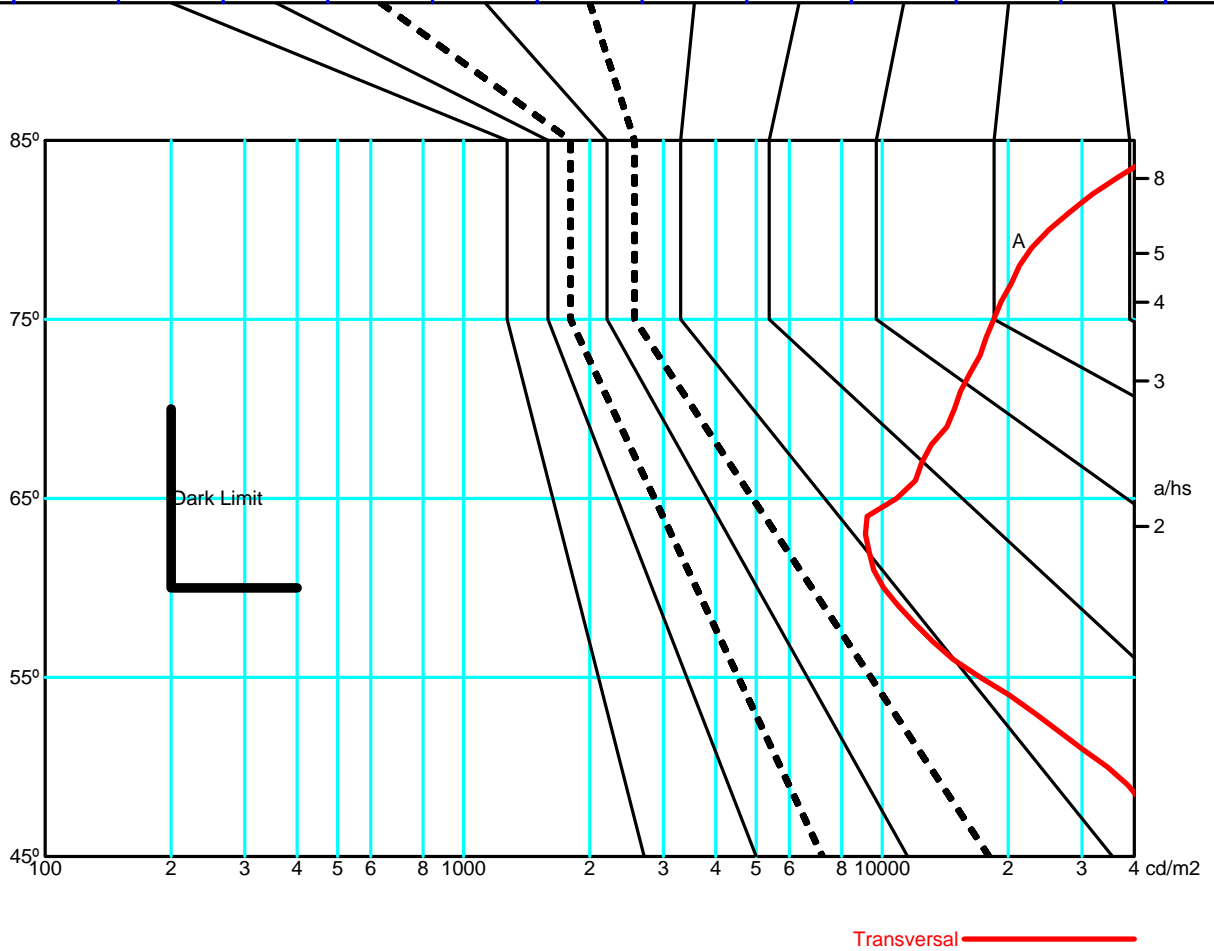
Coordinate system CG

Total Flux 525.00 lm

Average Luminance [cd/m²]

0.0°	45°	50°	55°	60°	65°	70°	75°	80°	85°	---
47721	34504	17161	10074	10824	14878	18469	25012	52782		

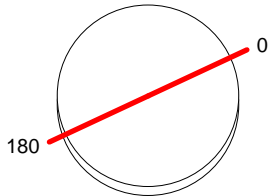
Flush mounted or longitudinal view												
		Illumination(lx)										
A	A	2000	1000	750	500		<300					1.15
B	1		2000	1500	1000	750	500	<300				1.5
C					2000		1000	500	<300			1.85
D	2						2000	1000	500	<300		2.2
E	3							2000	1000	500	<300	2.55



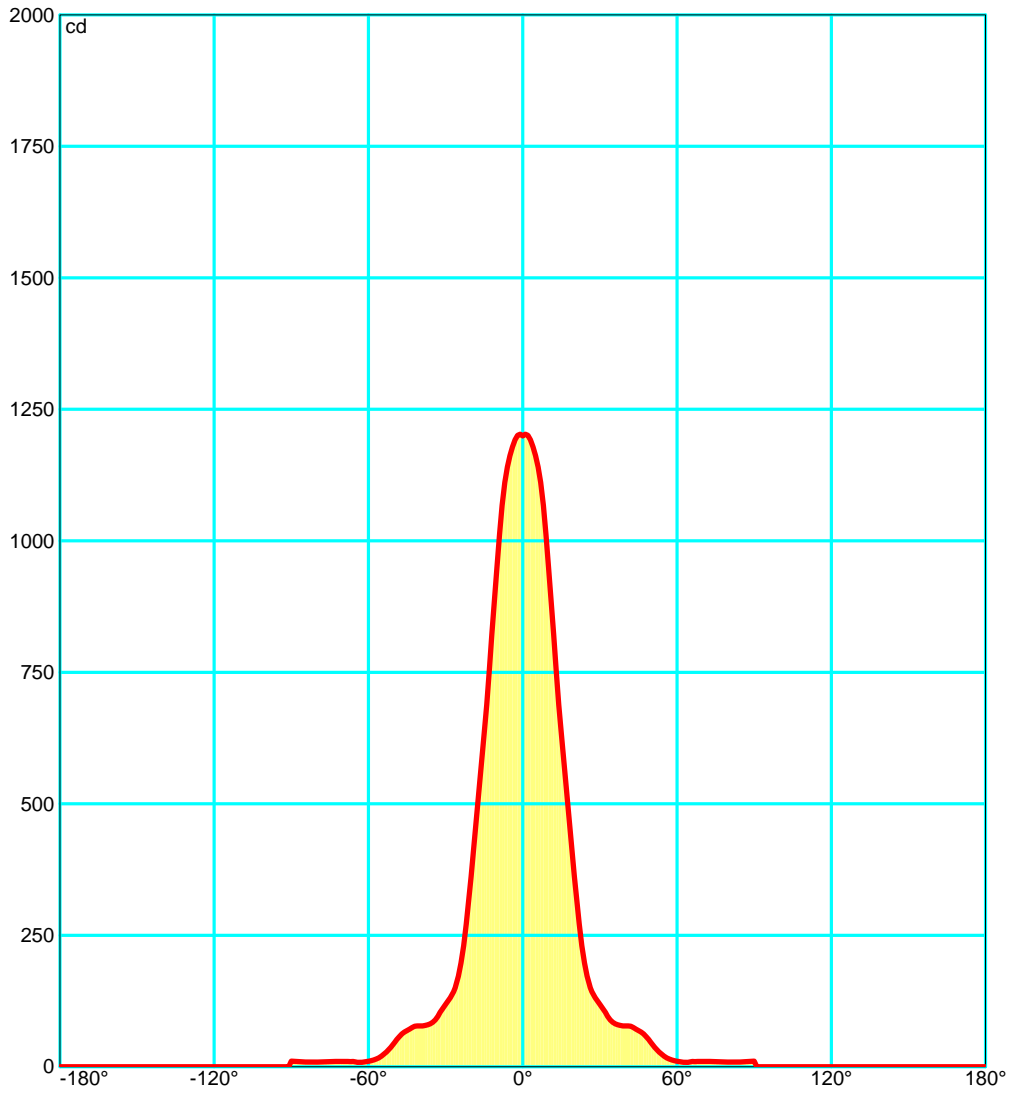
Luminaire		Measur.		Lamp	
Code	55-9567-Z5-37	Code	55-9567-Z5-37	Code	HALOPAR 16 50W
Name	HALOPAR 16 50W Aluminium-Reflektor	Name	HALOPAR 16 50W Aluminium-Reflektor	Number	1
Line	Eulmdat	Date	27-01-2000	Position	
Efficiency	100.04%	Coordinate system	CG	Total Flux	525.00 lm

Diam=51mm

C Halfplanes



180.0 ————— 0.0



Luminaire		Measur.		Lamp	
Code	55-9567-Z5-37	Code	55-9567-Z5-37	Code	HALOPAR 16 50W
Name	HALOPAR 16 50W Aluminium-Reflektor	Name	HALOPAR 16 50W Aluminium-Reflektor	Number	1
Line	Eulumdat	Date	27-01-2000	Position	
Efficiency	100.04%	Coordinate system	CG	Total Flux	525.00 lm

UGR
S = 0.250

Reflectancies										
Ceiling/Cavity	0.7	0.7	0.5	0.5	0.3	0.7	0.7	0.5	0.5	0.3
Walls	0.5	0.3	0.5	0.3	0.3	0.5	0.3	0.5	0.3	0.3
WorkingPlane	0.2	0.2	0.2	0.2	0.2	0.2	0.2	0.2	0.2	0.2
RoomDimensions	ViewedCrosswise					ViewedEndwise				
x=2H y=2H	19.9	20.7	20.1	20.9	21.1	19.9	20.7	20.1	20.9	21.1
x=2H y=3H	20.4	21.2	20.7	21.5	21.7	20.4	21.2	20.7	21.5	21.7
x=2H y=4H	21.1	21.8	21.4	22.1	22.3	21.1	21.8	21.4	22.1	22.3
x=2H y=6H	22.0	22.6	22.3	22.9	23.2	22.0	22.6	22.3	22.9	23.2
x=2H y=8H	22.6	23.3	22.9	23.6	23.9	22.6	23.3	22.9	23.6	23.9
x=2H y=12H	23.5	24.2	23.9	24.5	24.8	23.5	24.2	23.9	24.5	24.8
x=4H y=2H	19.9	20.6	20.2	20.9	21.2	19.9	20.6	20.2	20.9	21.2
x=4H y=3H	20.9	21.5	21.2	21.8	22.1	20.9	21.5	21.2	21.8	22.1
x=4H y=4H	21.8	22.3	22.1	22.7	23.0	21.8	22.3	22.1	22.7	23.0
x=4H y=6H	23.0	23.4	23.4	23.8	24.2	23.0	23.4	23.4	23.8	24.2
x=4H y=8H	23.8	24.2	24.2	24.6	25.0	23.8	24.2	24.2	24.6	25.0
x=4H y=12H	25.0	25.4	25.4	25.8	26.2	25.0	25.4	25.4	25.8	26.2
x=8H y=4H	22.2	22.6	22.6	23.0	23.4	22.2	22.6	22.6	23.0	23.4
x=8H y=6H	23.7	24.1	24.2	24.5	24.9	23.7	24.1	24.2	24.5	24.9
x=8H y=8H	24.8	25.1	25.3	25.6	26.0	24.8	25.1	25.3	25.6	26.0
x=8H y=12H	26.3	26.5	26.7	27.0	27.5	26.3	26.5	26.7	27.0	27.5
x=12H y=4H	22.4	22.7	22.8	23.1	23.6	22.4	22.7	22.8	23.1	23.6
x=12H y=6H	24.0	24.3	24.5	24.7	25.2	24.0	24.3	24.5	24.7	25.2
x=12H y=8H	25.2	25.5	25.7	25.9	26.4	25.2	25.5	25.7	25.9	26.4

Luminaire

Code 55-9567-Z5-37
 Name HALOPAR 16 50W Aluminium-Reflektor
 Line Eulmdat

Measur.

Code 55-9567-Z5-37
 Name HALOPAR 16 50W Aluminium-Reflektor
 Date 27-01-2000

Lamp

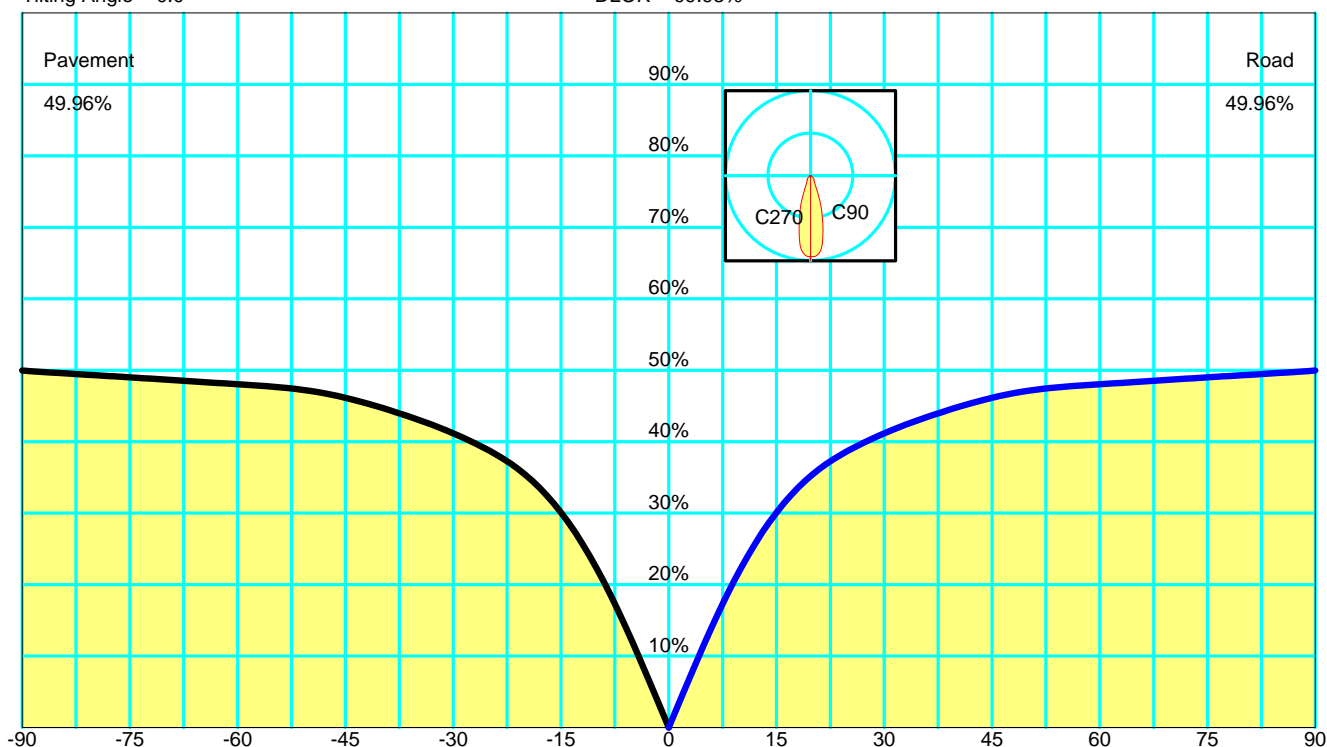
Code HALOPAR 16 50W
 Number 1
 Position

Efficiency 100.04% Coordinate system CG Total Flux 525.00 lm

Pavement			Road		
Piano	0	0.00%	Piano	0	0.00%
Piano	-5	11.83%	Piano	5	11.83%
Piano	-10	22.23%	Piano	10	22.23%
Piano	-15	30.09%	Piano	15	30.09%
Piano	-20	35.41%	Piano	20	35.41%
Piano	-25	38.76%	Piano	25	38.76%
Piano	-30	41.17%	Piano	30	41.17%
Piano	-35	43.11%	Piano	35	43.11%
Piano	-40	44.76%	Piano	40	44.76%
Piano	-45	46.14%	Piano	45	46.14%
Piano	-50	47.12%	Piano	50	47.12%
Piano	-55	47.68%	Piano	55	47.68%
Piano	-60	48.04%	Piano	60	48.04%
Piano	-65	48.35%	Piano	65	48.35%
Piano	-70	48.68%	Piano	70	48.68%
Piano	-75	49.01%	Piano	75	49.01%
Piano	-80	49.31%	Piano	80	49.31%
Piano	-85	49.62%	Piano	85	49.62%
Piano	-90	49.96%	Piano	90	49.96%

Tilting Angle = 0.0

DLOR = 99.93%



Spread 7.6° Narrow

Throw 3.8° Short

CIE Cutoff Semi-Cutoff - Max: C=0.0° Gamma=1.0°

IESNA Cutoff Cutoff

DIN5044 KB2

IESNA Type V Very Short Quadrilateral Symmetry

DLOR 99.92773 %

ULOR 0.11130 %

Efficiency 100.03903 %

RN 0.11126 %

Luminous Intensity Class G2

Glare Index D5

Luminaire

Code 55-9567-Z5-37
 Name HALOPAR 16 50W Aluminium-Reflektor
 Line Eulumdat

Measur.

Code 55-9567-Z5-37
 Name HALOPAR 16 50W Aluminium-Reflektor
 Date 27-01-2000

Lamp

Code HALOPAR 16 50W
 Number 1
 Position

Efficiency 100.04% Coordinate system CG Total Flux 525.00 lm

Total Flux=525.00 Luminaire Flux=525.20

RI	0.60	0.80	1.00	1.25	1.50	2.00	2.50	3.00	4.00	5.00	10.00	20.00
DRR	0.59	0.65	0.71	0.75	0.79	0.84	0.88	0.90	0.93	0.94	0.97	0.99
RC	-	-	-	-	1	1	1	1	1	1	-	-

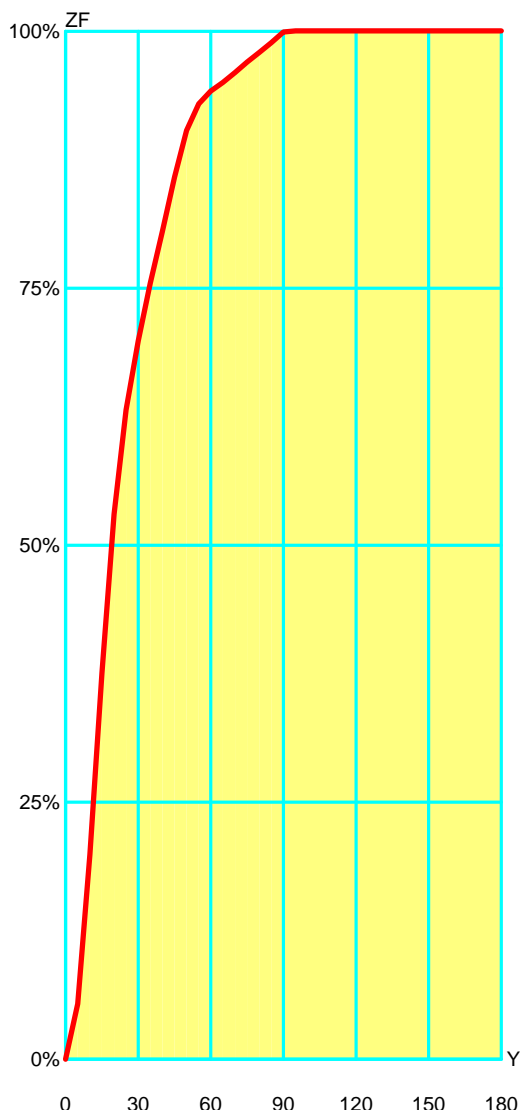
Zonal Flux per 1000 Lumen

Y°	10	20	30	40	50	60	70	80	90	100	110	120	130	140	150	160	170	180
ZF(Y)	199	530	699	806	903	942	960	979	999	1000	1000	1000	1000	1000	1000	1000	1000	1000

CIE Flux Codes

82 94 97 100 100

C.I.E.	-/-/-/1/1/1/1/1/1/-/-	LOR	100.03903 %
D DIN 5040	A60	ULOR	0.11130 %
F UTE	1.00 B	DLOR	99.92773 %
B NBN	BZ 1	UFF	0.11126 %
RN	0.11126 %	DFF	99.88874 %
BLF	1.0	FFR	0.11138 %



Zonal Flux				
Gamma °	Flux	Sum lm	Flux [%]	Sum [%]
0°	0.00	0.00	0.00%	0.00%
5°	53.96	53.96	5.39%	5.39%
10°	145.28	199.23	14.52%	19.92%
15°	175.85	375.09	17.58%	37.49%
20°	155.10	530.19	15.50%	53.00%
25°	101.49	631.68	10.15%	63.14%
30°	67.09	698.77	6.71%	69.85%
35°	56.11	754.89	5.61%	75.46%
40°	50.64	805.52	5.06%	80.52%
45°	52.72	858.25	5.27%	85.79%
50°	45.24	903.49	4.52%	90.31%
55°	25.93	929.42	2.59%	92.91%
60°	12.51	941.93	1.25%	94.16%
65°	8.31	950.24	0.83%	94.99%
70°	9.70	959.94	0.97%	95.96%
75°	10.11	970.05	1.01%	96.97%
80°	9.39	979.44	0.94%	97.91%
85°	9.43	988.87	0.94%	98.85%
90°	10.41	999.28	1.04%	99.89%
95°	1.11	1000.39	0.11%	100.00%
100°	0.00	1000.39	0.00%	100.00%
105°	0.00	1000.39	0.00%	100.00%
110°	0.00	1000.39	0.00%	100.00%
115°	0.00	1000.39	0.00%	100.00%
120°	0.00	1000.39	0.00%	100.00%
125°	0.00	1000.39	0.00%	100.00%
130°	0.00	1000.39	0.00%	100.00%
135°	0.00	1000.39	0.00%	100.00%
140°	0.00	1000.39	0.00%	100.00%
145°	0.00	1000.39	0.00%	100.00%
150°	0.00	1000.39	0.00%	100.00%
155°	0.00	1000.39	0.00%	100.00%
160°	0.00	1000.39	0.00%	100.00%
165°	0.00	1000.39	0.00%	100.00%
170°	0.00	1000.39	0.00%	100.00%
175°	0.00	1000.39	0.00%	100.00%
180°	0.00	1000.39	0.00%	100.00%

Luminaire

Code 55-9567-Z5-37
 Name HALOPAR 16 50W Aluminium-Reflektor
 Line Eulmdat

Measur.

Code 55-9567-Z5-37
 Name HALOPAR 16 50W Aluminium-Reflektor
 Date 27-01-2000

Lamp

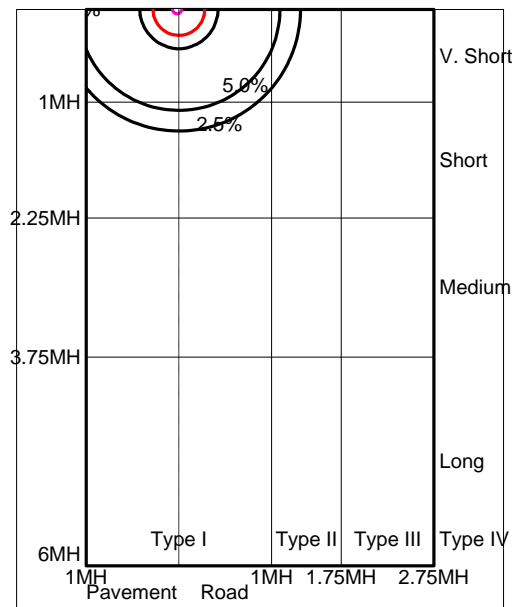
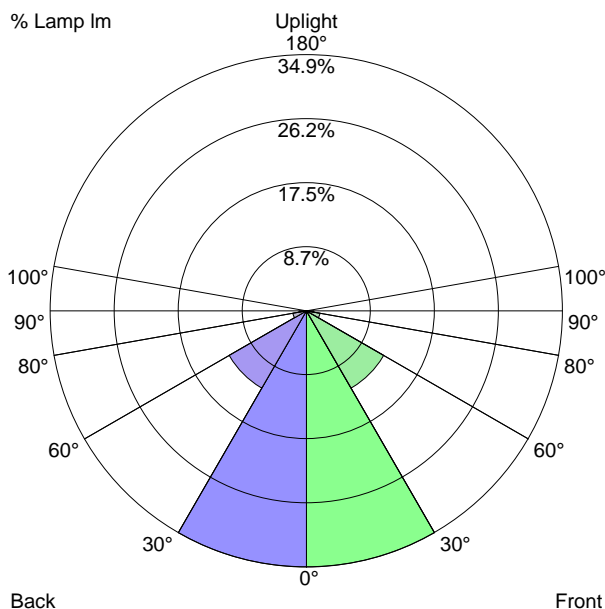
Code HALOPAR 16 50W
 Number 1
 Position

Efficiency 100.04%

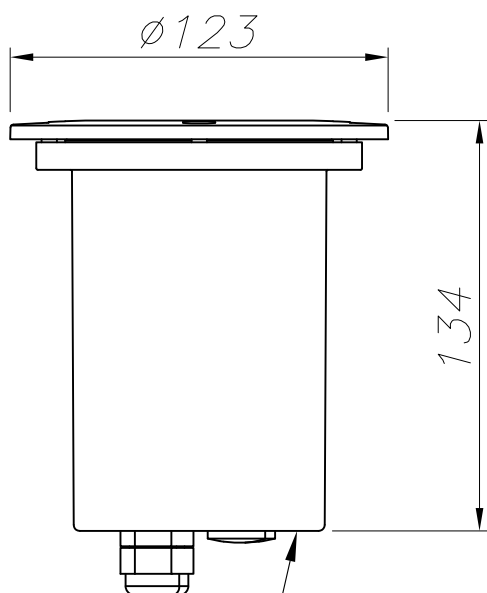
Coordinate system CG

Total Flux 525.00 lm

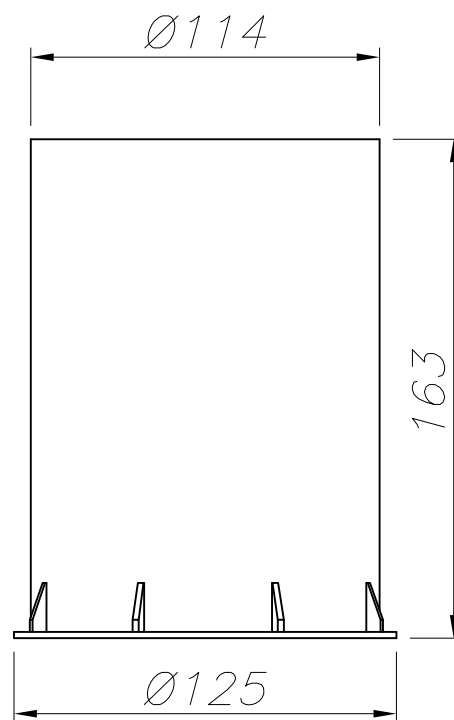
US ROAD STANDARDS



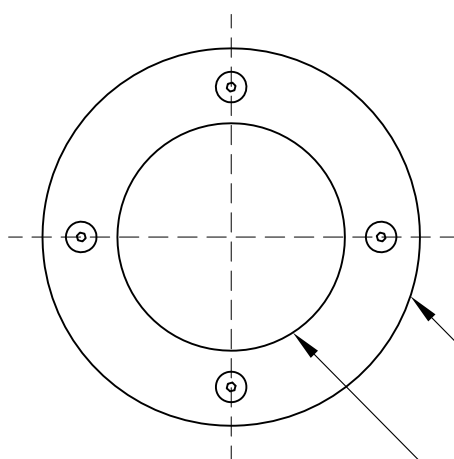
Luminaire Classification System (LCS)				
LCS Zone		Lumens	%Lamp	%Lum
FL	0° -- 30°	183.4 lm	34.9 %	34.9 %
FM	30° -- 60°	63.9 lm	12.2 %	12.2 %
FH	60° -- 80°	9.8 lm	1.9 %	1.9 %
FVH	80° -- 90°	5.2 lm	1.0 %	1.0 %
BL	0° -- 30°	183.4 lm	34.9 %	34.9 %
BM	30° -- 60°	63.9 lm	12.2 %	12.2 %
BH	60° -- 80°	9.8 lm	1.9 %	1.9 %
BVH	80° -- 90°	5.2 lm	1.0 %	1.0 %
UL	90° -- 100°	0.6 lm	0.1 %	0.1 %
UH	100° -- 180°	0.0 lm	0.0 %	0.0 %
TOTALS		525.2 lm	100.0 %	100.0 %
BUG B1 U1 G0 Type V Very Short Quadrilateral Symmetry				



PP REFORZADO CON
FIBRA DE VIDRIO
FIBERGLASS REINFORCED PP



CAJA DE EMPOTRAR
FLUSH FITTING BOX



PP REFORZADO FIBRA DE VIDRIO,
ACABADO MATE
FIBERGLASS REINFORCED PP, MATT FINISH

CRISTAL TEMPLADO TRANSPARENTE
TEMPERED TRANSPARENT GLASS

